



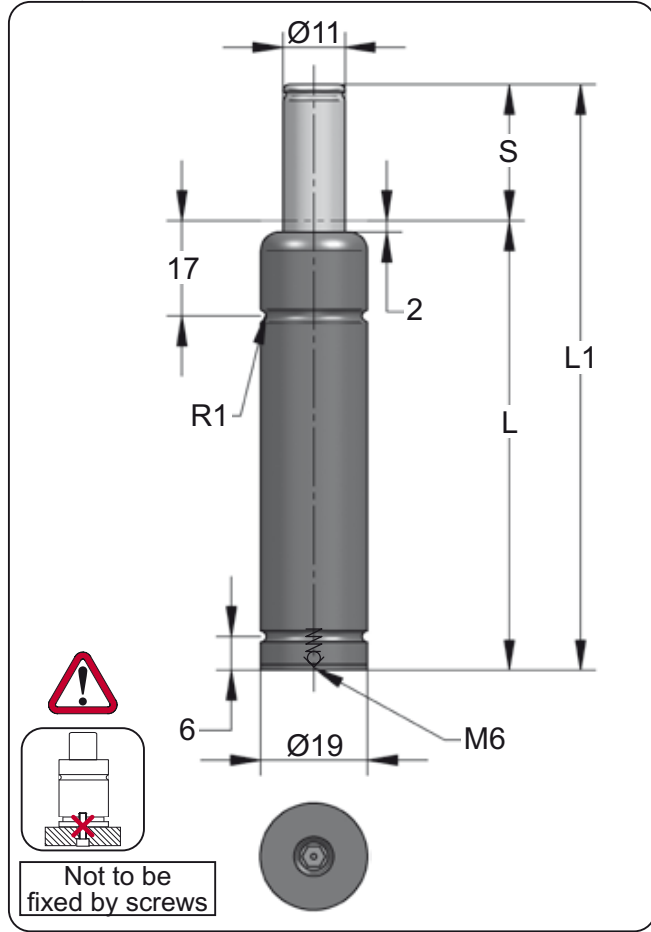
CP HEAVY LOAD LARGE

MODEL	F ₀	Ø	S	L1	Pmax	Charge Port		
CP 150 V1	150	Ø19	10 - 80	75 - 220	160	M6	X	X
CP 300 V1	300	Ø25	10 - 80	75 - 220	170	M6	X	✓
CP 500 V1	500	Ø32	10 - 80	75 - 225	200	M6	X	✓
CP 1000 V1	1000	Ø38	10 - 80	75 - 240	205	M6	X	✓
CP 2000 V2	2000	Ø50	10 - 80	80 - 245	210	G1/8"	X	✓
CP 3000 V1	3000	Ø63	10 - 80	95 - 255	190	M6	X	✓
CP 5000 V1	5000	Ø75	10 - 80	100 - 275	200	G1/8"	X	✓
CP 8000 V1	8000	Ø95	10 - 80	110 - 290	180	G1/8"	X	✓

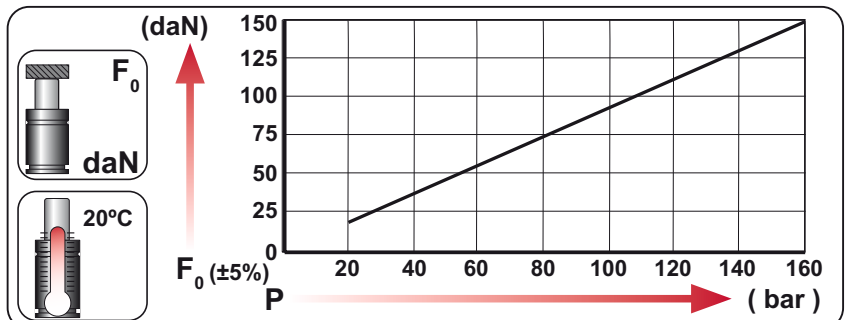
	50	50	50	50	50	50	50	50
	Ø50	Ø50	Ø50	Ø50	Ø50	Ø50	Ø50	Ø50
	L1=138 L1=152	L1=138	L1=138 L1=150 L1=150	L1=170 L1=185 L1=195	L1=195	L1=165 L1=175	L1=220	
	1000 1000	1000	1000 1000 750	750 1000 1000	750	1700 2000	1800	
MODEL	X	CW 1000 KZ 1000	AS 1000	CT 1000 CK 1000 FD 750	GN 750 CM 1000 CD 1000	AG 750	CPH 1700 CP 2000	CS 1800
SERIES	MINI 	COMPACT HEIGHT 	THREADED 	LOW PROFILE 	HEAVY DUTY 	ISO 	HEAVY LOAD 	POWER COMPACT STROKE

CP 150 V1

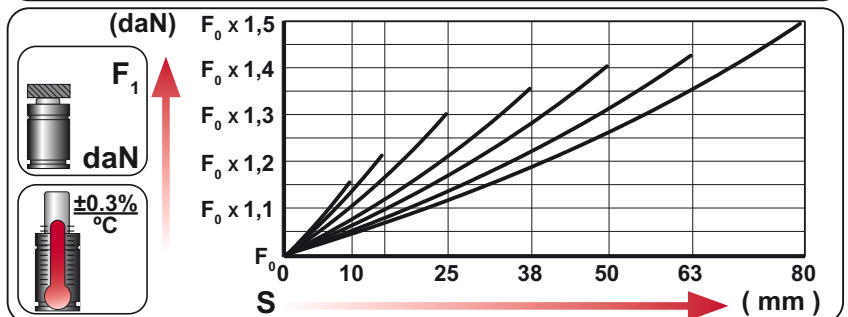
Heavy Load



ORDER	S (mm)	L1 ±0,25 (mm)	L (mm)	Kg.
CP 150 010 V1	10	75	65	0.08
CP 150 015 V1	15	85	70	0.09
CP 150 025 V1	25	105	80	0.10
CP 150 038 V1	38	135	97	0.12
CP 150 050 V1	50	160	110	0.14
CP 150 063 V1	63	190	127	0.16
CP 150 080 V1	80	220	140	0.18



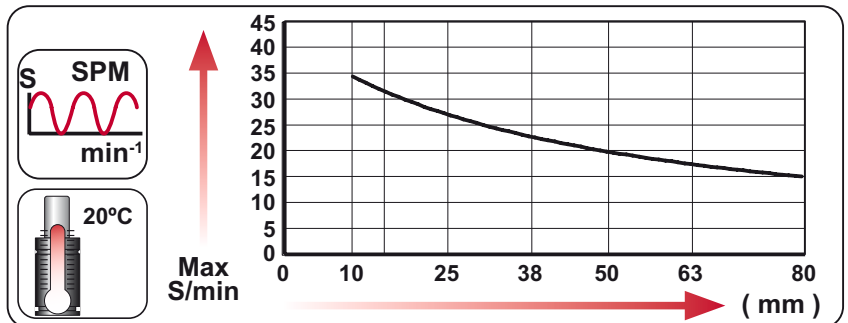
CODE	Image	Pressure		Force	
		bar	psi	daN	daN
CP 150 050 V1		160	2320	150	210
.....		---	---	---	---



ENG	ORDER	F0	S
DEU	BESTELLUNG	daN	mm
FRA	COMMANDE		
ITA	ORDINE		
ESP	PEDIDO		
POR	PEDIDO		

CP 150 50

CP 150 050 V1



N ₂	Smax < 90%	Vmax 0,5 m/s	bar psi 20 290	bar psi 160 2320	°C °F 0 32	°C °F 80 176	

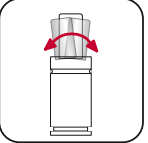


CP 150 V1 MOUNTS

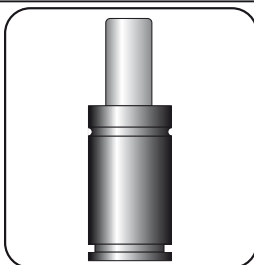
Heavy Load

	50	50					50	
	Ø19	Ø19					Ø19	
	L1=142	L1=130					L1=160	
MODEL	AFJ	CW 170	X	X	X	X	CP 150	X
SERIES	MINI 	COMPACT HEIGHT 	THREADED 	LOW PROFILE 	HEAVY DUTY 	ISO 	HEAVY LOAD 	POWER COMPACT STROKE

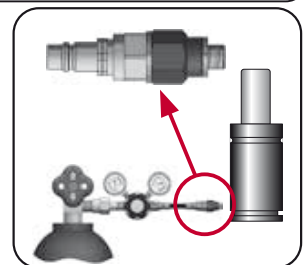
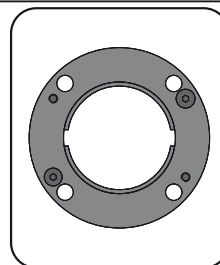
Single base thread



Gas springs with only a single base thread should not be mounted by screws.



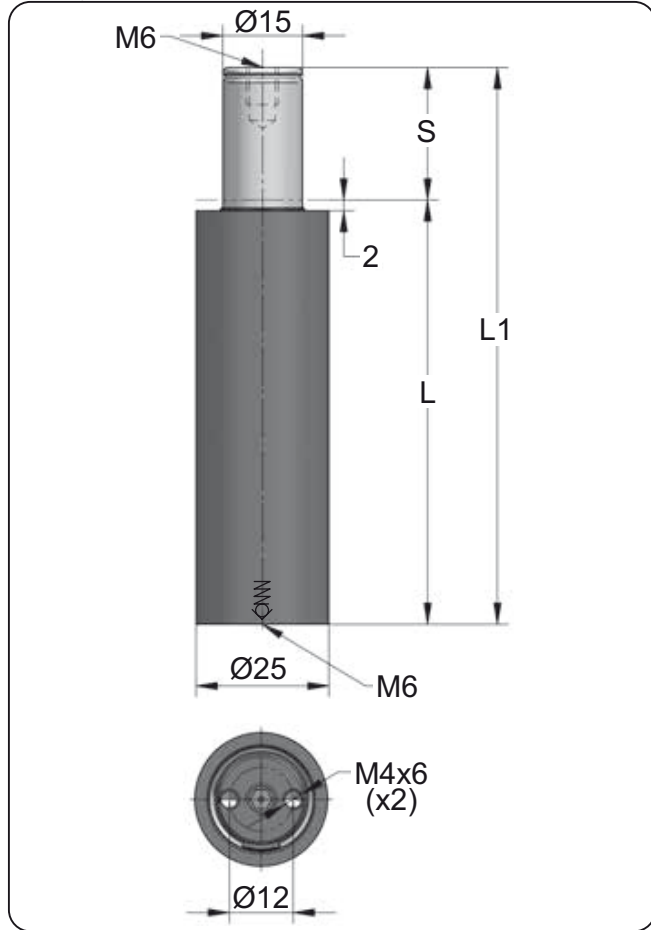
SEAL KIT S-XXXXXXX



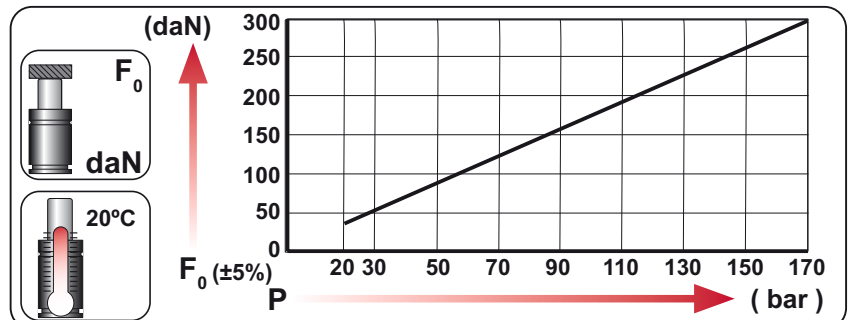
CODE	CP 150 050 V1	X	X	06 CG 2-Q
ENG ORDER	GAS SPRING	REPAIR KIT	FLANGE	CHARGING ADAPTER
DEU BESTELLUNG	GASDRUCKFEDER	ERSATZTEILSATZ	FLANSCHEN	LADEADAPTER
FRA COMMANDE	RESSORT À GAZ	KIT DE RÉPARATION	BRIDE	RACCORD DE CHARGE
ITA ORDINE	CILINDRO AD AZOTO	KIT DI MANUTENZIONE	FLANGE	ADATTATORE DI CARICO
ESP PEDIDO	RESORTE DE GAS	KIT DE REPARACION	BRIDA	ADAPTADOR DE CARGA
POR PEDIDO	CILINDRO DE GÁS	KIT DE MANUTENÇÃO	FLANGE	ADAPTADOR DE CARGA

CP 300 V1

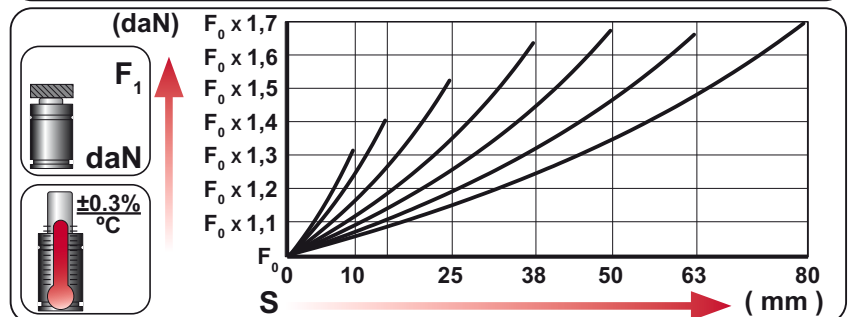
Heavy Load



ORDER	S (mm)	L1 ±0,25 (mm)	L (mm)	Kg.
CP 300 010 V1	10	75	65	0.18
CP 300 015 V1	15	85	70	0.19
CP 300 025 V1	25	105	80	0.22
CP 300 038 V1	38	130	92	0.25
CP 300 050 V1	50	155	105	0.28
CP 300 063 V1	63	185	122	0.31
CP 300 080 V1	80	220	140	0.36



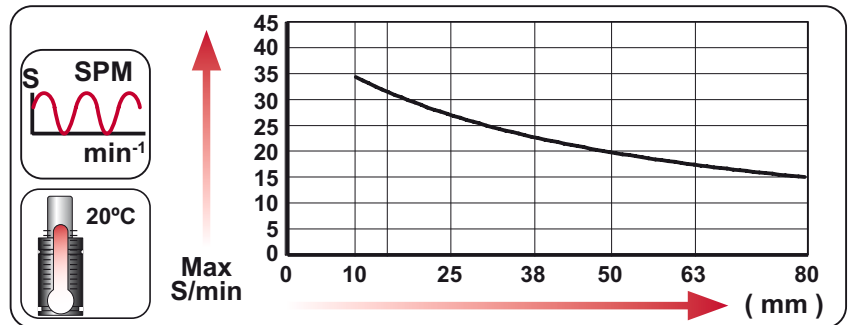
CODE	Image	Pressure		Force	
		bar	psi	daN	daN
CP 300 050 V1		170	2465	300	500
.....		---	---	---	---



ENG ORDER	DEU BESTELLUNG	FRA COMMANDE	ITA ORDINE	ESP PEDIDO	POR PEDIDO

CP 300 50

CP 300 050 V1



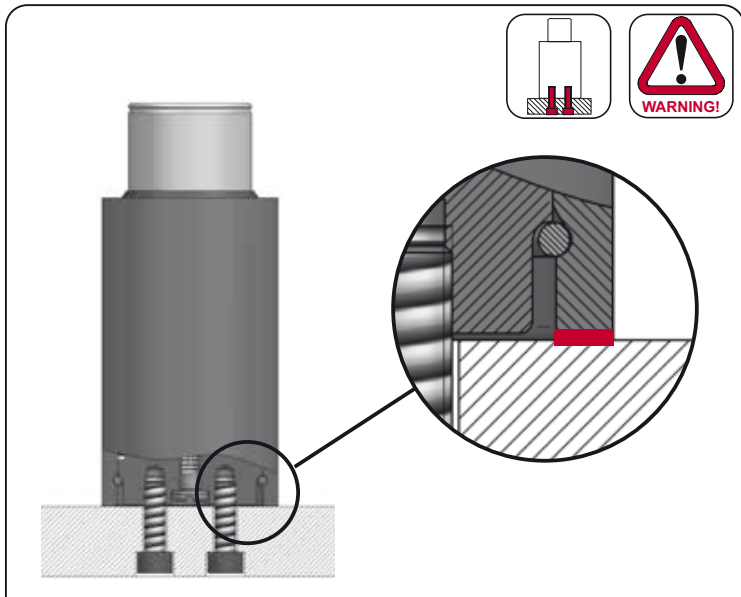
N ₂	Smax < 90%	Vmax 0,5 m/s	bar psi 20 290	bar psi 170 2465	°C °F 0 32	°C °F 80 176	



CP 300 V1 MOUNTS

Heavy Load

	50	50		50	50		50	50
	Ø25	Ø25		Ø25	Ø25		Ø25	Ø25
	L1=142	L1=130		L1=132 L1=133	L1=160		L1=160	L1=195
MODEL	AFC 200	CW 320	X	CK 200 CT 200	CM 200	X	CP 300	CS 420
SERIES	MINI 	COMPACT HEIGHT 	THREADED 	LOW PROFILE 	HEAVY DUTY 	ISO 	HEAVY LOAD 	POWER COMPACT STROKE



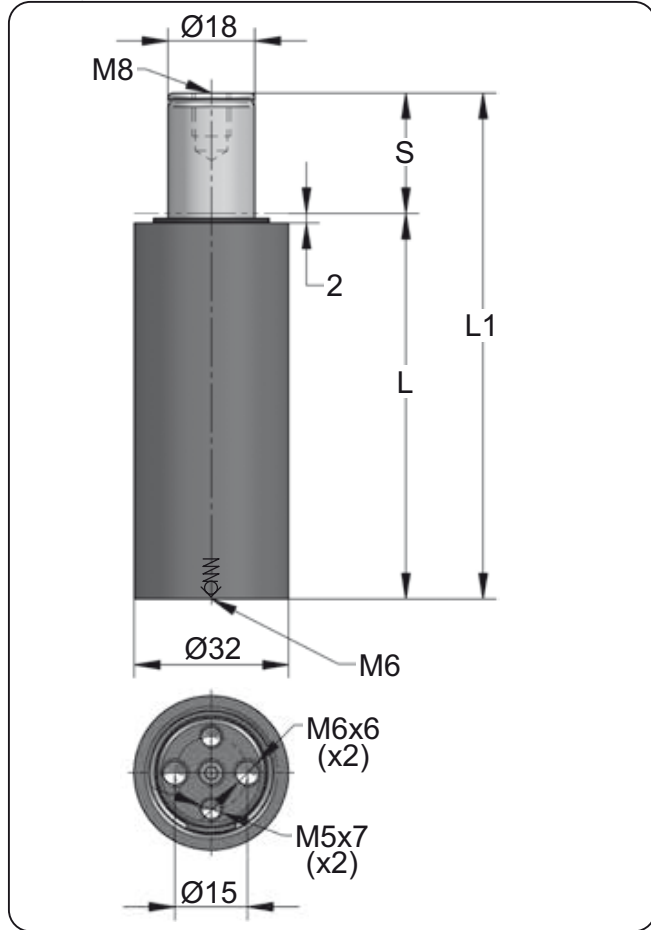
When using CP series mounted by screws the gas spring must be supported at all the times. A flat support surface in contact with the whole surface of the gas spring body is always required.

SEAL KIT S-XXXXXXX

CODE	CP 300 050 V1	KIT S-XXXXXXX	X	06 CG 2-Q
ENG ORDER	GAS SPRING	REPAIR KIT	FLANGE	CHARGING ADAPTER
DEU BESTELLUNG	GASDRUCKFEDER	ERSATZTEILSATZ	FLANSCHEN	LADEADAPTER
FRA COMMANDE	RESSORT À GAZ	KIT DE RÉPARATION	BRIDE	RACCORD DE CHARGE
ITA ORDINE	CILINDRO AD AZOTO	KIT DI MANUTENZIONE	FLANGE	ADATTATORE DI CARICO
ESP PEDIDO	RESORTE DE GAS	KIT DE REPARACION	BRIDA	ADAPTADOR DE CARGA
POR PEDIDO	CILINDRO DE GÁS	KIT DE MANUTENÇÃO	FLANGE	ADAPTADOR DE CARGA

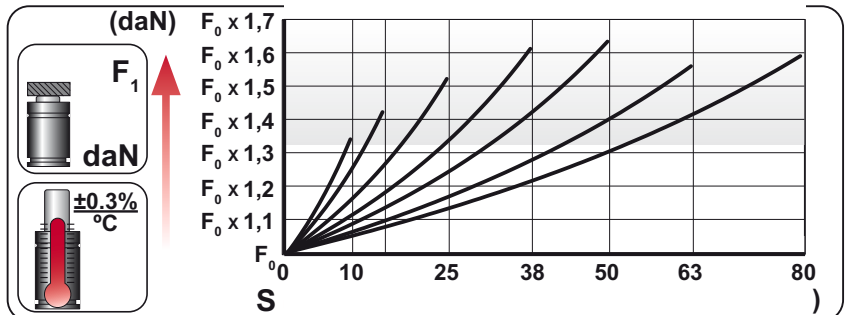
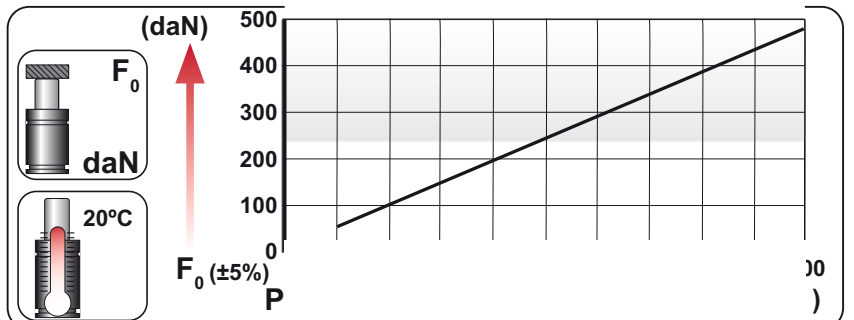
CP 500 V1

Heavy Load



ORDER	S (mm)	L1 ±0,25 (mm)	L (mm)	Kg.
CP 500 010 V1	10	75	65	0.30
CP 500 015 V1	15	85	70	0.32
CP 500 025 V1	25	105	80	0.36
CP 500 038 V1	38	130	92	0.41
CP 500 050 V1	50	155	105	0.46
CP 500 063 V1	63	190	127	0.53
CP 500 080 V1	80	225	145	0.60

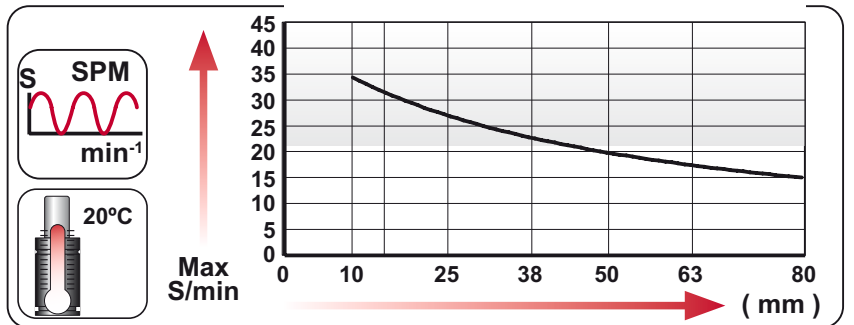
CODE	Image	Pressure		Force	
		bar	psi	daN	daN
CP 500 050 V1		190	2755	485	795
.....		---	---	---	---



	ENG ORDER		
	DEU BESTELLUNG		
	FRA COMMANDE		
	ITA ORDINE		
	ESP PEDIDO		
POR PEDIDO			

CP 500 50

CP 500 050 V1



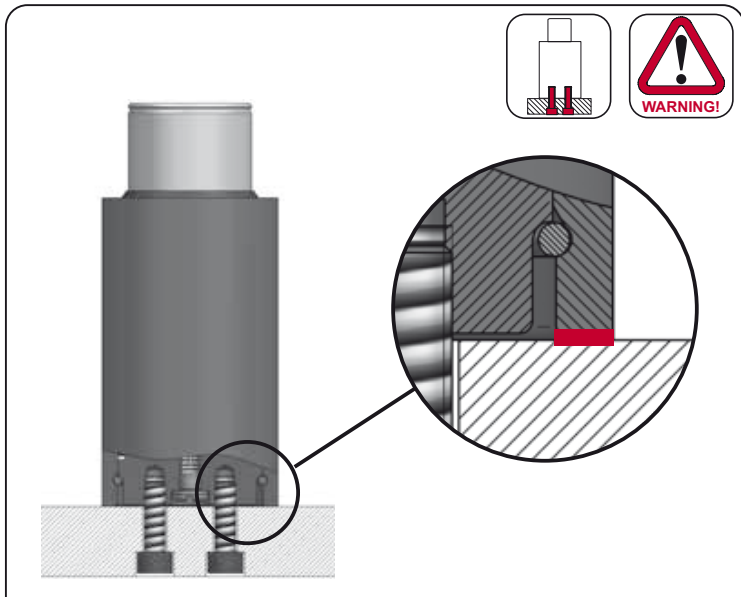
N ₂	Smax < 90%	Vmax 0,5 m/s	bar psi 20 290	bar psi 200 2900	°C °F 0 32	°C °F 80 176	



CP 500 V1 MOUNTS

Heavy Load

s mm Ø mm L1 mm	50 Ø32 L1=142	50 Ø32 L1=140	50 Ø32 L1=137 L1=139	50 Ø32 L1=150 L1=150	50 Ø32 L1=150	50 Ø32 L1=155	50 Ø32 L1=195	
MODEL	AFT	CW 350 KZ 350	X	CT 300 CK 300	CM 350 CD 300	AG 150	CP 500	CS 770
SERIES	MINI	COMPACT HEIGHT	THREADED	LOW PROFILE	HEAVY DUTY	ISO	HEAVY LOAD	POWER COMPACT STROKE



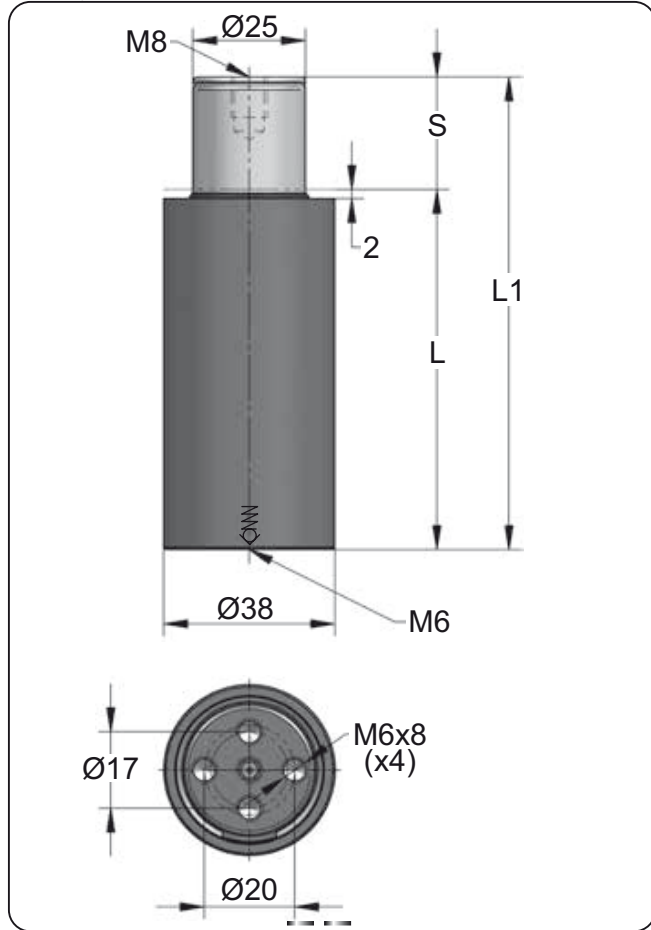
When using CP series mounted by screws the gas spring must be supported at all the times. A flat support surface in contact with the whole surface of the gas spring body is always required.

SEAL KIT S-XXXXXXX

CODE	CP 500 050 V1	KIT S-XXXXXXX	X	06 CG 2-Q
ENG ORDER	GAS SPRING	REPAIR KIT	FLANGE	CHARGING ADAPTER
DEU BESTELLUNG	GASDRUCKFEDER	ERSATZTEILSATZ	FLANSCHEN	LADEADAPTER
FRA COMMANDE	RESSORT À GAZ	KIT DE RÉPARATION	BRIDE	RACCORD DE CHARGE
ITA ORDINE	CILINDRO AD AZOTO	KIT DI MANUTENZIONE	FLANGE	ADATTATORE DI CARICO
ESP PEDIDO	RESORTE DE GAS	KIT DE REPARACION	BRIDA	ADAPTADOR DE CARGA
POR PEDIDO	CILINDRO DE GÁS	KIT DE MANUTENÇÃO	FLANGE	ADAPTADOR DE CARGA

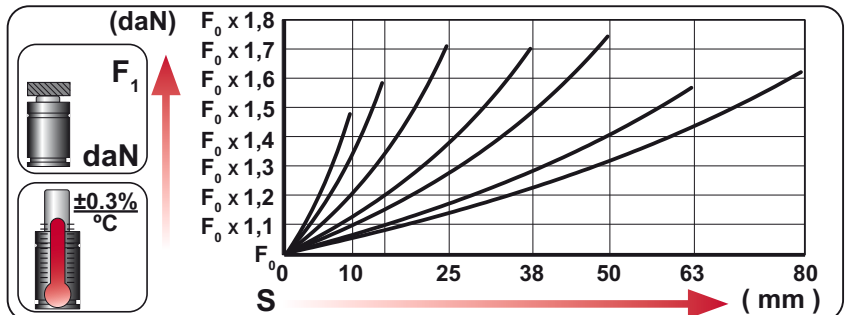
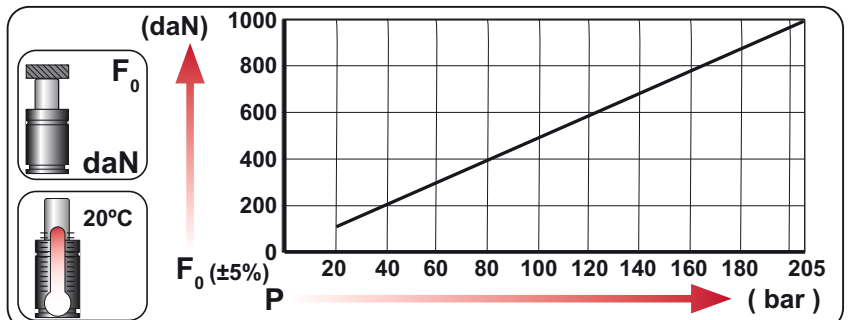
CP 1000 V1

Heavy Load

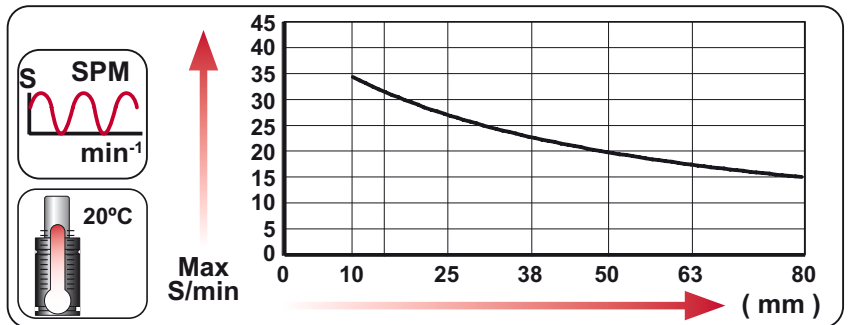


ORDER	S (mm)	L1 ±0,25 (mm)	L (mm)	Kg.
CP 1000 010 V1	10	75	65	0.43
CP 1000 015 V1	15	85	70	0.46
CP 1000 025 V1	25	105	80	0.51
CP 1000 038 V1	38	135	97	0.59
CP 1000 050 V1	50	160	110	0.65
CP 1000 063 V1	63	205	142	0.77
CP 1000 080 V1	80	240	160	0.86

CODE	Image	Pressure		Force	
		bar	psi	daN	daN
CP 1000 050 V1		195	2830	960	1675
.....		---	---	---	---



ENG ORDER	DEU BESTELLUNG	FRA COMMANDE	ITA ORDINE	ESP PEDIDO	POR PEDIDO
CP	1000	50			
CP 1000 050 V1					



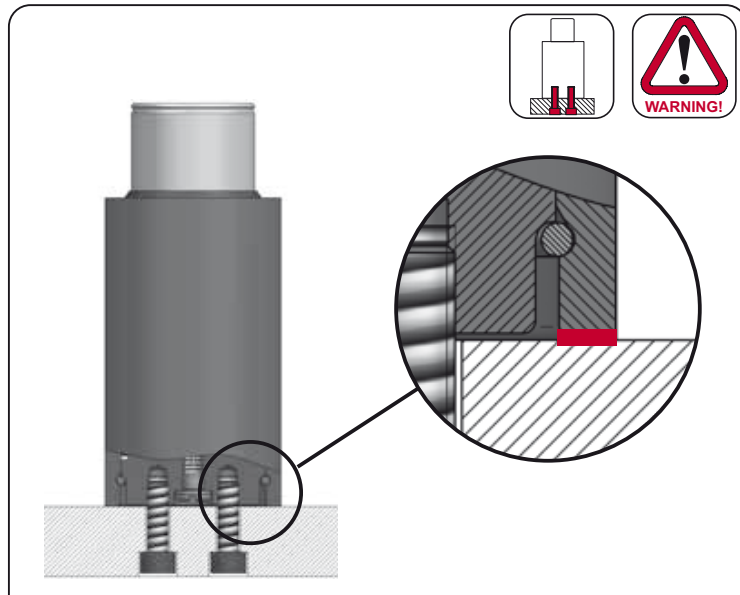
N ₂	Smax < 90%	Vmax 0,5 m/s	bar psi 20 290	bar psi 205 2975	°C °F 0 32	°C °F 80 176	



CP 1000 V1 MOUNTS

Heavy Load

 		50	50	50	50	50	50	50
		Ø38	Ø38	Ø38	Ø38	Ø38	Ø38	Ø38
		L1=130 L1=140	L1=150	L1=132 L1=137	L1=150 L1=155	L1=150	L1=155 L1=160	L1=230
MODEL	X	CW 500 KZ 500	AS 300	CT 500 CK 500	CM 500 CD 500	AG 250	CPH 850 CP 1000	CS 1000
SERIES	MINI 	COMPACT HEIGHT 	THREADED 	LOW PROFILE 	HEAVY DUTY 	ISO 	HEAVY LOAD 	POWER COMPACT STROKE



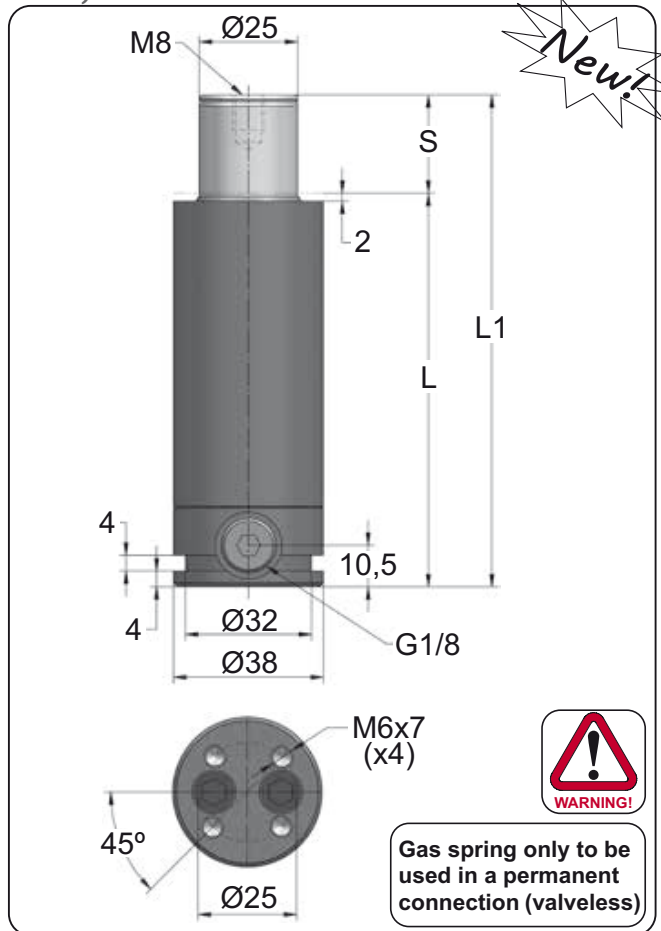
When using CP series mounted by screws the gas spring must be supported at all the times. A flat support surface in contact with the whole surface of the gas spring body is always required.

SEAL KIT S-XXXXXXX

CODE	CP 1000 050 V1	KIT S-XXXXXXX	X	06 CG 2-Q
ENG ORDER	GAS SPRING	REPAIR KIT	FLANGE	CHARGING ADAPTER
DEU BESTELLUNG	GASDRUCKFEDER	ERSATZTEILSATZ	FLANSCHEN	LADEADAPTER
FRA COMMANDE	RESSORT À GAZ	KIT DE RÉPARATION	BRIDE	RACCORD DE CHARGE
ITA ORDINE	CILINDRO AD AZOTO	KIT DI MANUTENZIONE	FLANGE	ADATTATORE DI CARICO
ESP PEDIDO	RESORTE DE GAS	KIT DE REPARACION	BRIDA	ADAPTADOR DE CARGA
POR PEDIDO	CILINDRO DE GÁS	KIT DE MANUTENÇÃO	FLANGE	ADAPTADOR DE CARGA

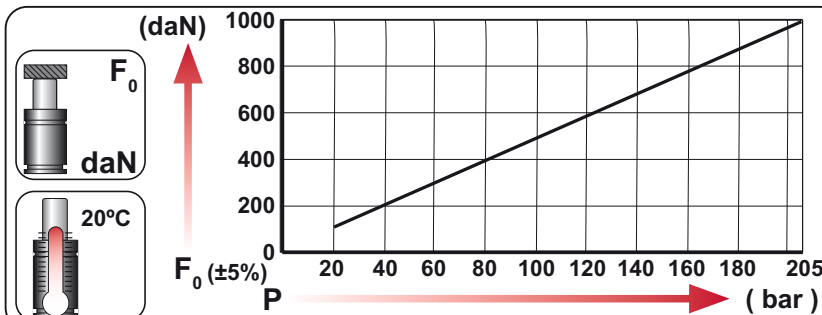
CP-KC 1000 V1

Heavy Load



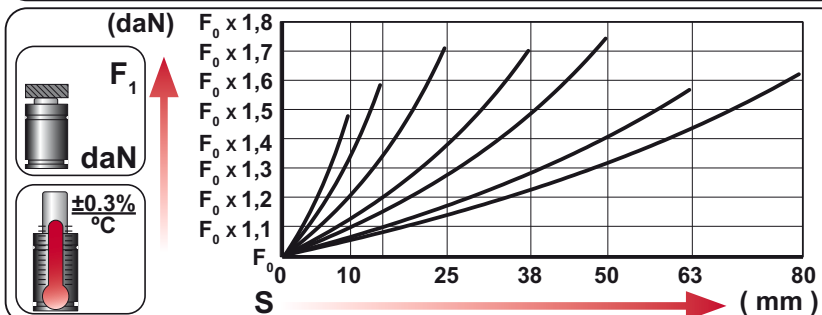
Gas spring only to be used in a permanent connection (valveless)

ORDER	S (mm)	L1 ±0,25 (mm)	L (mm)	Kg.
CP-KC 1000 010 V1	10	95	85	0.58
CP-KC 1000 015 V1	15	105	90	0.61
CP-KC 1000 025 V1	25	125	100	0.66
CP-KC 1000 038 V1	38	155	117	0.74
CP-KC 1000 050 V1	50	180	130	0.80
CP-KC 1000 063 V1	63	225	162	0.92
CP-KC 1000 080 V1	80	260	180	1.01

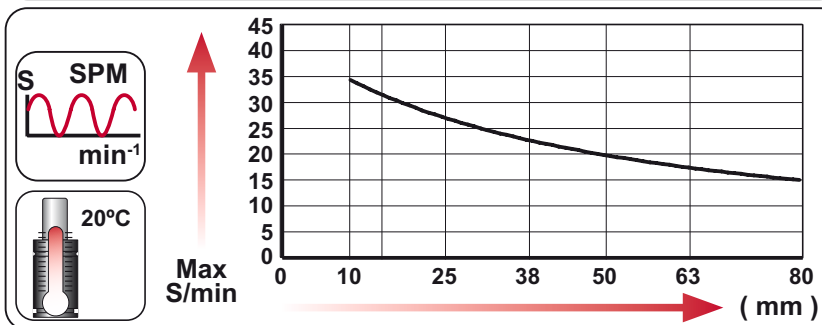


CODE	Pressure		Force	
	bar	psi	daN	daN
CP-KC 1000 050 V1	0	0	---	---

ENG Gas spring only to be used in a permanent connection (valveless)
 DEU Gasdruckfeder kann nur im Verbund eingesetzt werden (ohne Ventil)
 FRA Ressort à gaz ne peut être utilisé que relié dans une connexion (sans valve)
 ITA Cilindro può essere utilizzato solo in una connessione permanente (senza valvola)
 ESP Cilindro de gas sólo puede ser usado en un sistema conexionado (sin válvula)
 POR Cilindro de gás apenas pode ser utilizado em um sistema interligado (sem válvula)



ENG ORDER	DEU BESTELLUNG	FRA COMMANDE	ITA ORDINE	ESP PEDIDO	POR PEDIDO
CP-KC 1000	CP-KC 1000	CP-KC 1000	CP-KC 1000	CP-KC 1000	CP-KC 1000
CP-KC 1000 050 V1	CP-KC 1000 050 V1	CP-KC 1000 050 V1	CP-KC 1000 050 V1	CP-KC 1000 050 V1	CP-KC 1000 050 V1



--	--	--	--	--	--	--	--

N ₂	Smax < 90%	Vmax 0,5 m/s	bar psi	bar psi	°C °F	°C °F	600 CP-
			20 290	205 2975	0 32	80 176	



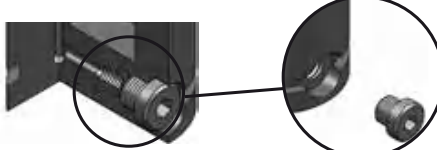
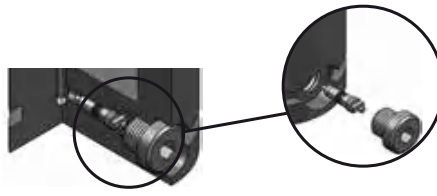
CP-KC 1000 V1 MOUNTS

Heavy Load

ONLY PERMANENT HOSED GAS SPRINGS

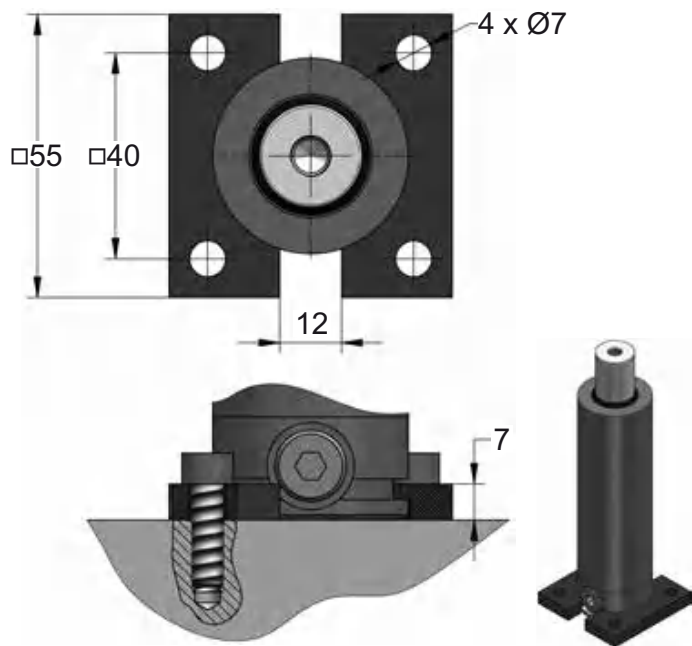


CODE				
		bar	psi	daN
.....		---	---	---
CP-KC 1000 050 V1		0	0	---



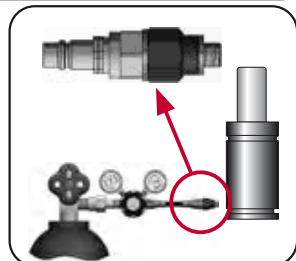
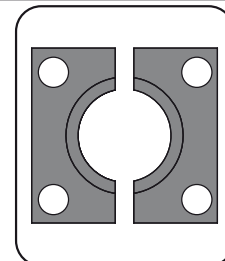
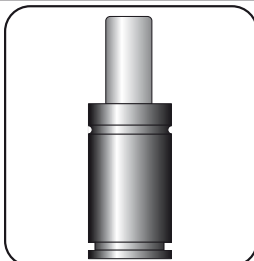
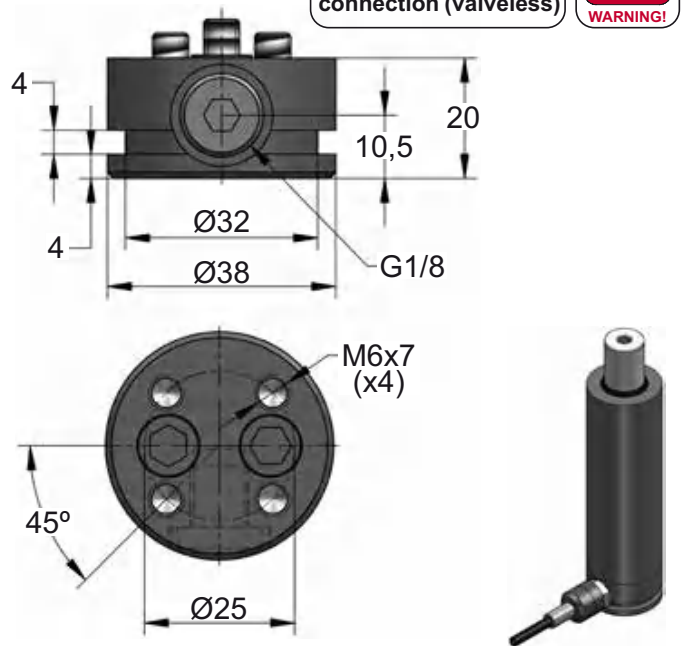
ENG	Hosed gas spring	Gas spring delivered unfilled and it can only be used in a permanent connection (valveless)
DEU	Gasdruckfeder zum verschlauchen	Gasdruckfeder wird drucklos angeliefert und kann nur im Verbund eingesetzt werden (ohne Ventil)
FRA	Ressort à gaz relié	Ressort à gaz fourni non chargé et il ne peut être utilisé que relié dans une connexion permanente (sans valve de charge)
ITA	Cilindro collegabile	Cilindro fornito scarico e può essere utilizzato solo in una connessione permanente (senza valvola unidirezionale)
ESP	Cilindro conexionable	Cilindro de gas suministrado descargado y sólo puede ser usado en un sistema conexionado permanente (sin válvula de carga)
POR	Cilindro de gas interligado	Cilindro de gás fornecido descarregado, apenas pode ser utilizado em um sistema interligado permanente (sem válvula de carga)

C20-038



KC 1000

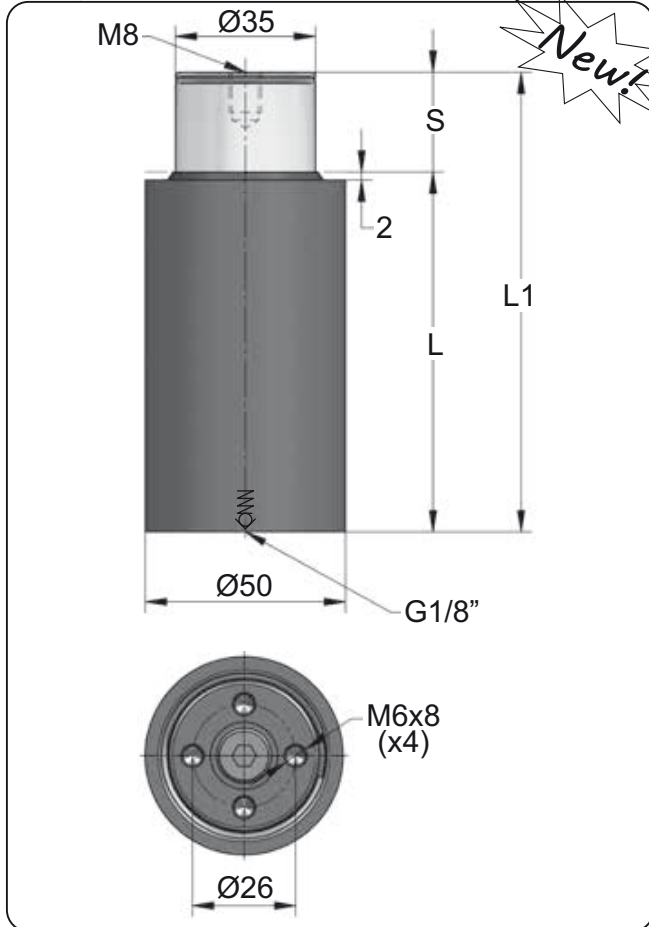
Gas spring only to be used in a permanent connection (valveless)



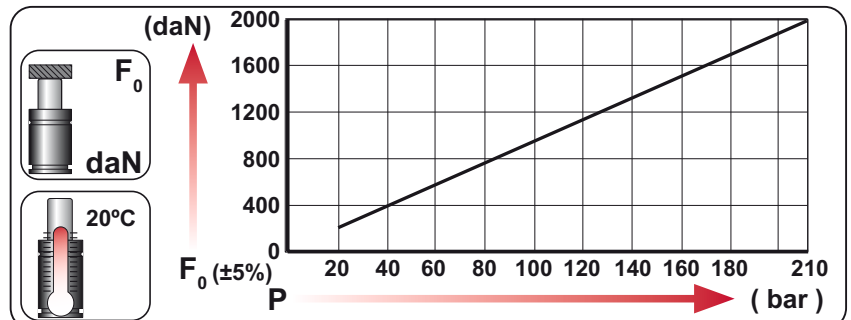
CODE	CS-KC 1000 050 V1	KIT S-XXXXXXX	C20-038	SKK 12R 1/8
ENG	ORDER	GAS SPRING	FLANGE	CHARGING ADAPTER
DEU	BESTELLUNG	GASDRUCKFEDER	FLANSCH	LADEADAPTER
FRA	COMMANDE	RESSORT À GAZ	BRIDE	RACCORD DE CHARGE
ITA	ORDINE	CILINDRO AD AZOTO	FLANGE	ADATTATORE DI CARICO
ESP	PEDIDO	RESORTE DE GAS	BRIDA	ADAPTADOR DE CARGA
POR	PEDIDO	CILINDRO DE GÁS	FLANGE	ADAPTADOR DE CARGA

CP 2000 V2

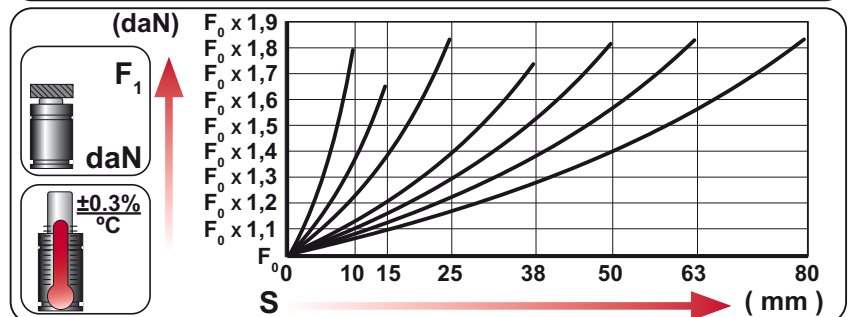
Heavy Load



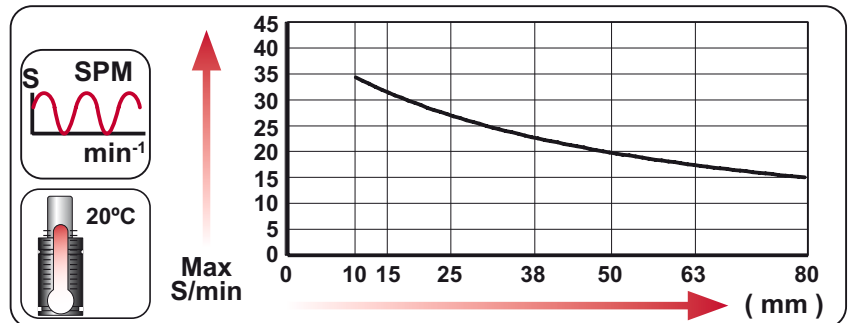
ORDER	S (mm)	L1 ±0,25 (mm)	L (mm)	Kg.
CP 2000 010 V2	10	80	70	0.87
CP 2000 015 V2	15	95	80	0.95
CP 2000 025 V2	25	115	90	1.05
CP 2000 038 V2	38	150	112	1.23
CP 2000 050 V2	50	175	125	1.35
CP 2000 063 V2	63	205	142	1.50
CP 2000 080 V2	80	245	165	1.71



CODE	Image	Pressure		Force	
		bar	psi	daN	daN
CP 2000 050 V2		200	2900	1925	3500
.....		---	---	---	---



ENG ORDER	DEU BESTELLUNG	FRA COMMANDE	ITA ORDINE	ESP PEDIDO	POR PEDIDO
CP	2000	50			
CP 2000 050 V2					



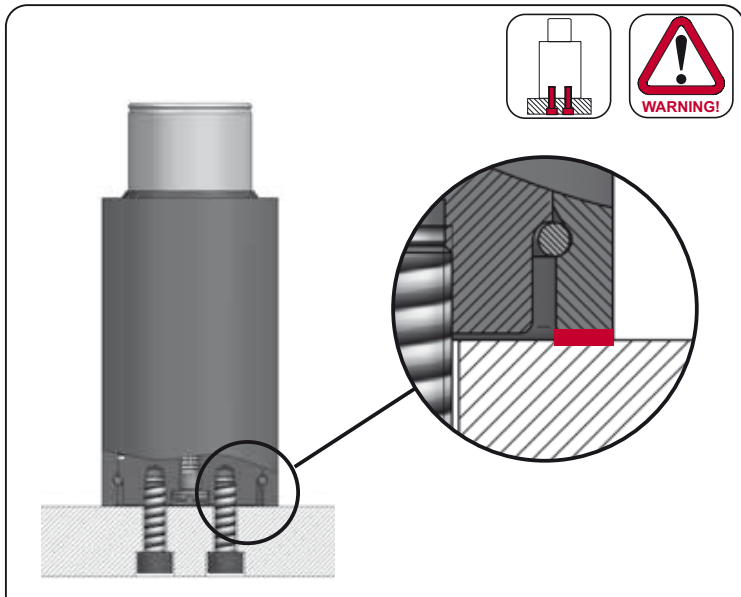
N ₂	Smax < 90%	Vmax 0,5 m/s	bar psi 20 290 210 3045	°C °F 0 32 80 176	



CP 2000 V2 MOUNTS

Heavy Load

s mm Ø mm L1 mm		50		50	50	50	50	50
		Ø50	Ø50	Ø50	Ø50	Ø50	Ø50	Ø50
		L1=138 L1=152		L1=138 L1=150 L1=150	L1=170 L1=185 L1=195	L1=195	L1=165 L1=175	L1=220
MODEL	X	CW 1000 KZ 1000	X	CT 1000 CK 1000 FD 750	GN 750 CM 1000 CD 1000	AG 750	CPH 1700 CP 2000	CS 1800
SERIES	MINI 	COMPACT HEIGHT 	THREADED 	LOW PROFILE 	HEAVY DUTY 	ISO 	HEAVY LOAD 	POWER COMPACT STROKE



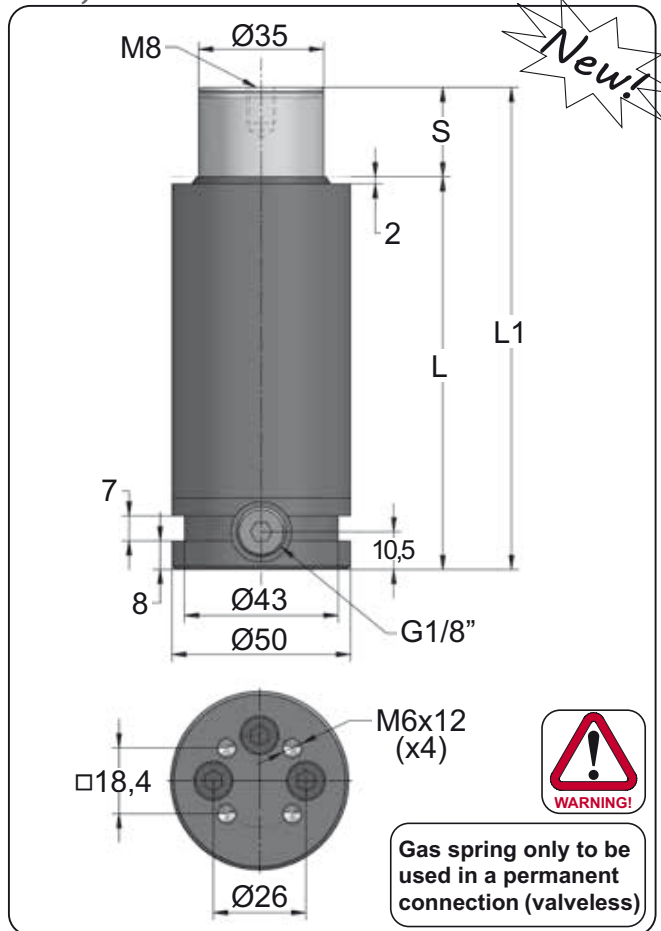
When using CP series mounted by screws the gas spring must be supported at all the times. A flat support surface in contact with the whole surface of the gas spring body is always required.

SEAL KIT S-XXXXXXX

CODE	CP 2000 050 V2	KIT S-XXXXXXX	X	18 CG 1-Q
ENG ORDER	GAS SPRING	REPAIR KIT	FLANGE	CHARGING ADAPTER
DEU BESTELLUNG	GASDRUCKFEDER	ERSATZTEILSATZ	FLANSCHEN	LADEADAPTER
FRA COMMANDE	RESSORT À GAZ	KIT DE RÉPARATION	BRIDE	RACCORD DE CHARGE
ITA ORDINE	CILINDRO AD AZOTO	KIT DI MANUTENZIONE	FLANGE	ADATTATORE DI CARICO
ESP PEDIDO	RESORTE DE GAS	KIT DE REPARACION	BRIDA	ADAPTADOR DE CARGA
POR PEDIDO	CILINDRO DE GÁS	KIT DE MANUTENÇÃO	FLANGE	ADAPTADOR DE CARGA

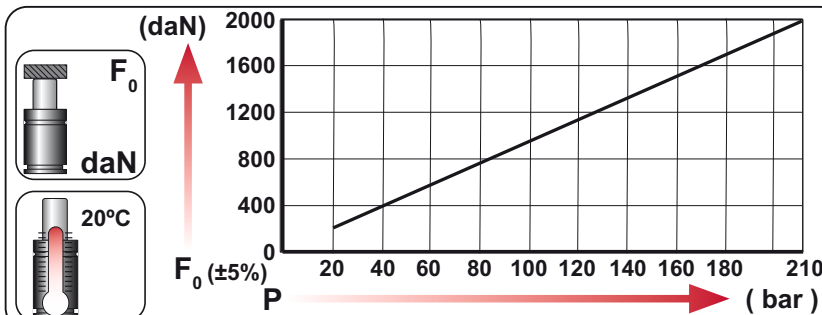
CP-KC 2000 V2

Heavy Load



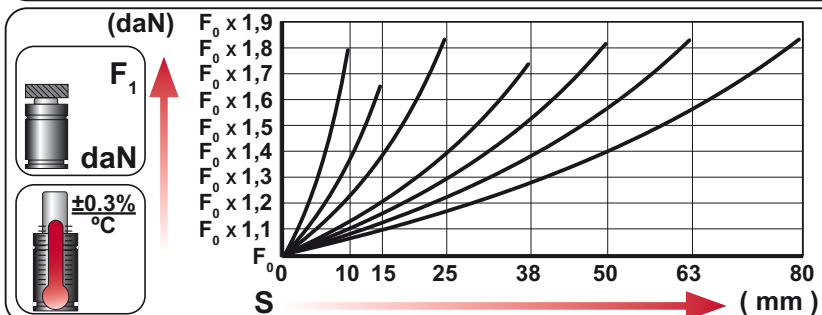
Gas spring only to be used in a permanent connection (valveless)

ORDER	S (mm)	L1 ±0,25 (mm)	L (mm)	Kg.
CP-KC 2000 010 V2	10	100	90	1.13
CP-KC 2000 015 V2	15	115	100	1.20
CP-KC 2000 025 V2	25	135	110	1.31
CP-KC 2000 038 V2	38	170	132	1.48
CP-KC 2000 050 V2	50	195	145	1.61
CP-KC 2000 063 V2	63	225	162	1.76
CP-KC 2000 080 V2	80	265	185	1.96

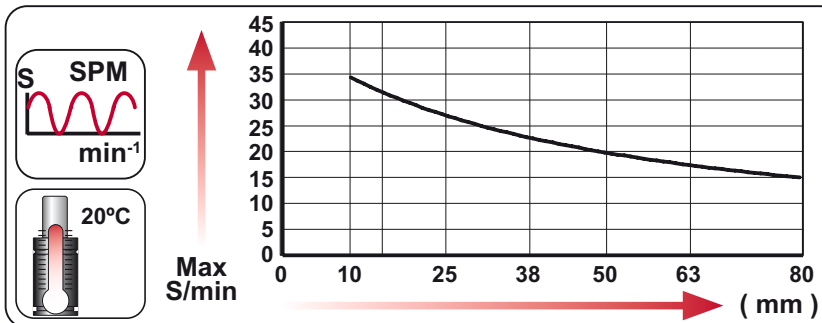


CODE	Pressure		Force	
	bar	psi	daN	daN
CP-KC 2000 050 V2	0	0	---	---

ENG Gas spring only to be used in a permanent connection (valveless)
 DEU Gasdruckfeder kann nur im Verbund eingesetzt werden (ohne Ventil)
 FRA Ressort à gaz ne peut être utilisé que relié dans une connexion (sans valve)
 ITA Cilindro può essere utilizzato solo in una connessione permanente (senza valvola)
 ESP Cilindro de gas sólo puede ser usado en un sistema conexionado (sin válvula)
 POR Cilindro de gás apenas pode ser utilizado em um sistema interligado (sem válvula)



ENG ORDER	DEU BESTELLUNG	FRA COMMANDE	ITA ORDINE	ESP PEDIDO	POR PEDIDO
CP-KC 2000	CP-KC 2000	CP-KC 2000	CP-KC 2000	CP-KC 2000	CP-KC 2000
CP-KC 2000 050 V2	CP-KC 2000 050 V2	CP-KC 2000 050 V2	CP-KC 2000 050 V2	CP-KC 2000 050 V2	CP-KC 2000 050 V2



N₂

Smax < 100%

Vmax 0,5 m/s

Pmin (20°C) Pmax (20°C)

Tmin Tmax

600 CP-

N ₂	Smax < 90%	Vmax 0,5 m/s	bar psi	bar psi	°C °F	°C °F	°C °F
			20 290	190 2755	0 32	80 176	



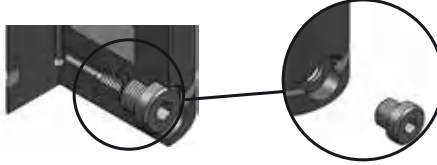
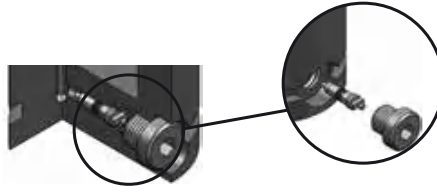
CP-KC 2000 V2 MOUNTS

Heavy Load

ONLY PERMANENT HOSED GAS SPRINGS

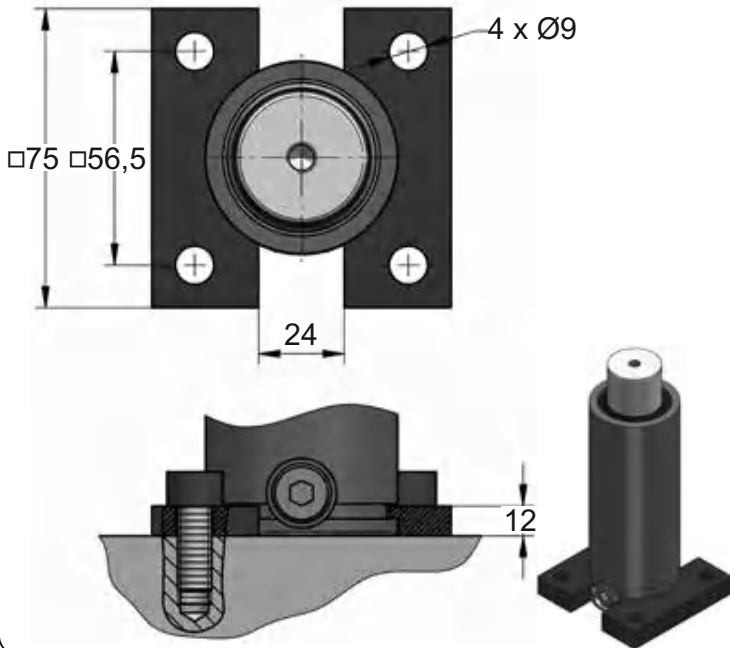


CODE				
		bar	psi	daN
.....		---	---	---
CP-KC 2000 050 V2		0	0	---



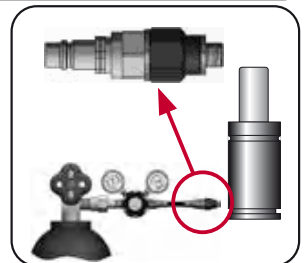
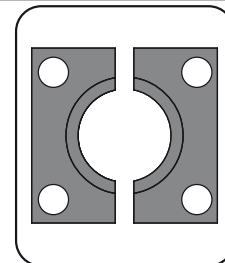
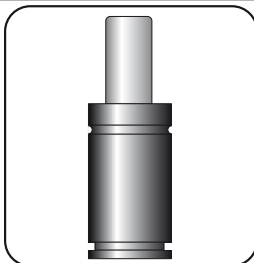
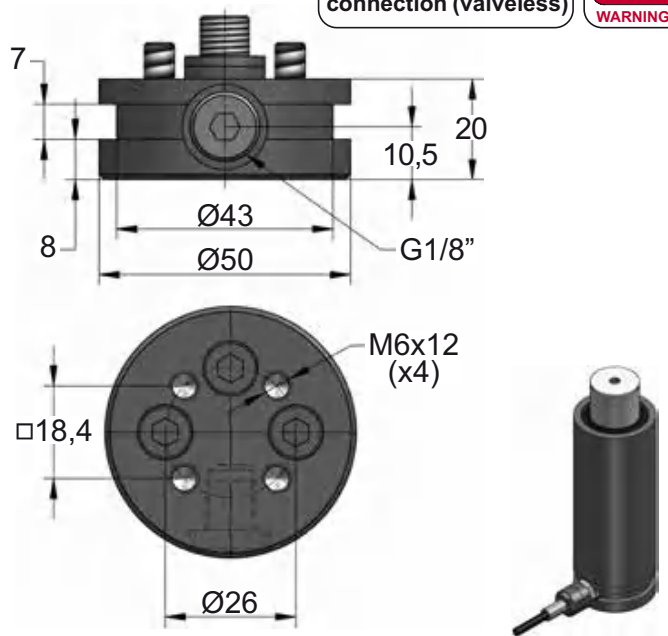
ENG	Hosed gas spring	Gas spring delivered unfilled and it can only be used in a permanent connection (valveless)
DEU	Gasdruckfeder zum verschlauchen	Gasdruckfeder wird drucklos angeliefert und kann nur im Verbund eingesetzt werden (ohne Ventil)
FRA	Ressort à gaz relié	Ressort à gaz fourni non chargé et il ne peut être utilisé que relié dans une connexion permanente (sans valve de charge)
ITA	Cilindro collegabile	Cilindro fornito scarico e può essere utilizzato solo in una connessione permanente (senza valvola unidirezionale)
ESP	Cilindro conexionable	Cilindro de gas suministrado descargado y sólo puede ser usado en un sistema conexionado permanente (sin válvula de carga)
POR	Cilindro de gas interligado	Cilindro de gás fornecido descarregado, apenas pode ser utilizado em um sistema interligado permanente (sem válvula de carga)

C20-050



KC 1800

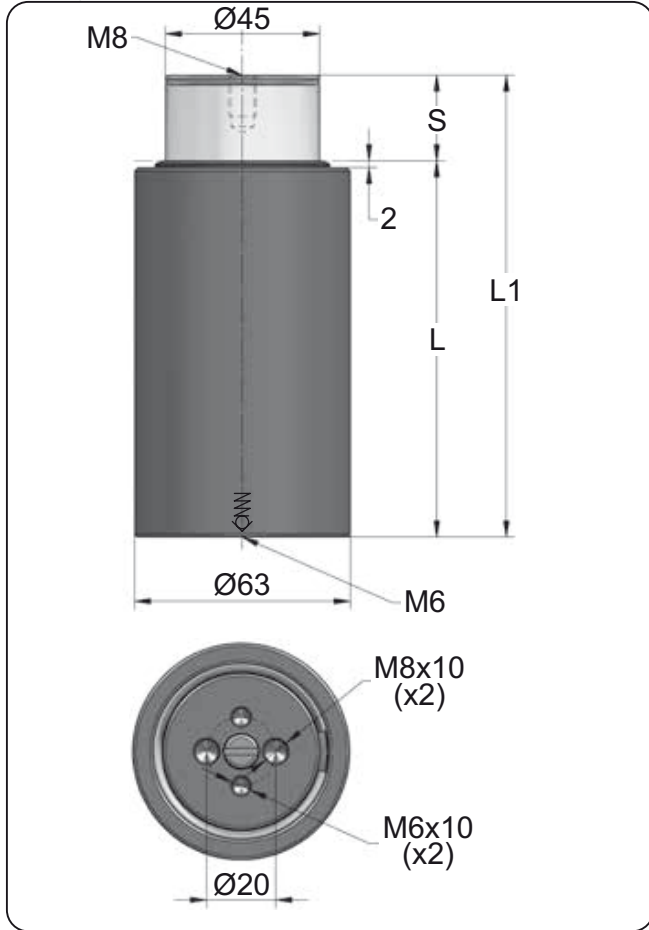
Gas spring only to be used in a permanent connection (valveless)



CODE	CP-KC 2000 050 V2	KIT S-XXXXXXX	C20-050	SKK 12R 1/8
ENG	ORDER	GAS SPRING	REPAIR KIT	CHARGING ADAPTER
DEU	BESTELLUNG	GASDRUCKFEDER	ERSATZTEILSATZ	LADEADAPTER
FRA	COMMANDE	RESSORT À GAZ	KIT DE RÉPARATION	RACCORD DE CHARGE
ITA	ORDINE	CILINDRO AD AZOTO	KIT DI MANUTENZIONE	ADATTATORE DI CARICO
ESP	PEDIDO	RESORTE DE GAS	KIT DE REPARACION	ADAPTADOR DE CARGA
POR	PEDIDO	CILINDRO DE GÁS	KIT DE MANUTENÇÃO	ADAPTADOR DE CARGA

CP 3000 V1

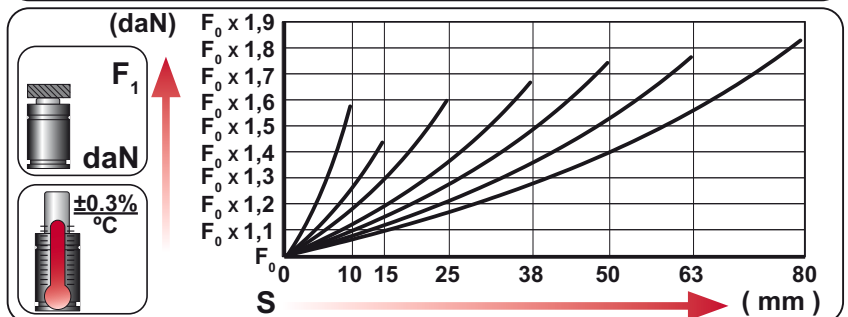
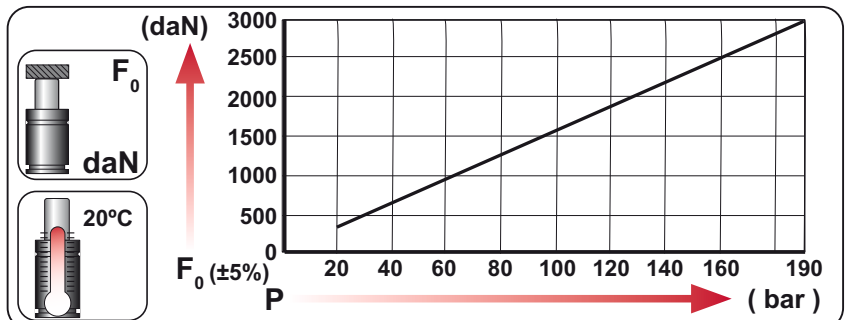
Heavy Load



ORDER	S (mm)	L1 ±0,25 (mm)	L (mm)	Kg.
CP 3000 010 V1	10	95	85	1.66
CP 3000 015 V1	15	115	100	1.82
CP 3000 025 V1	25	135	110	1.97
CP 3000 038 V1	38	165	127	2.20
CP 3000 050 V1	50	190	140	2.39
CP 3000 063 V1	63	220	157	2.62
CP 3000 080 V1	80	255	175	2.88



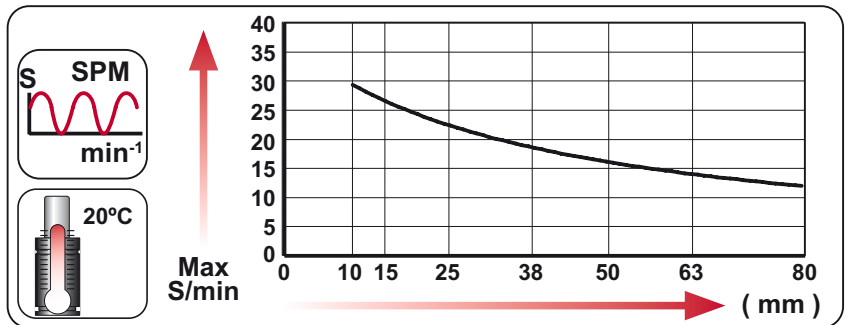
CODE	Image	bar	psi	F ₀ daN	F ₁ daN
CP 3000 050 V1		180	2610	2860	4990
.....		---	---	---	---



	ENG ORDER		
	DEU BESTELLUNG		
	FRA COMMANDE		
	ITA ORDINE		
	ESP PEDIDO		
POR PEDIDO			

CP 3000 50

CP 3000 050 V1



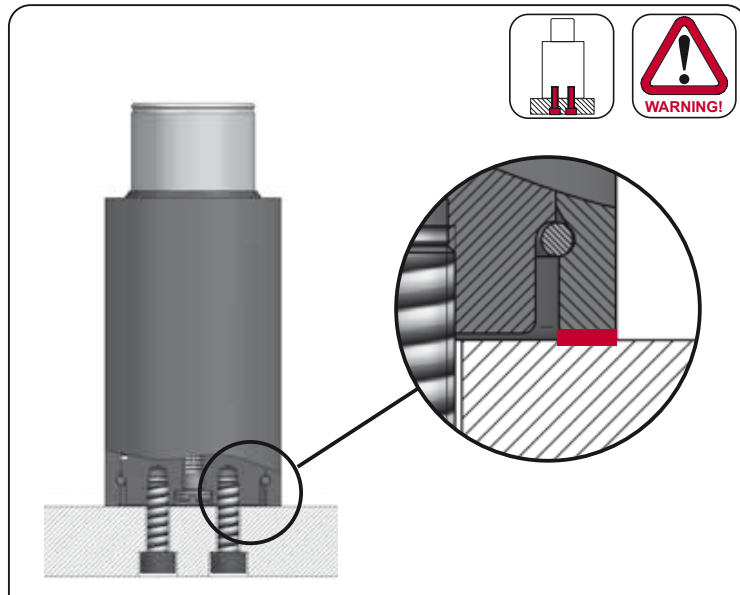
N ₂	Smax < 90%	Vmax 0,5 m/s	bar psi 20 290	bar psi 190 2755	°C °F 0 32	°C °F 80 176	



CP 3000 V1 MOUNTS

Heavy Load

s mm Ø mm L1 mm		50 Ø63 L1=144 L1=152		50 Ø63 L1=152 L1=160	50 Ø63 L1=185 L1=195		50 Ø63 L1=175 L1=190	50 Ø63 L1=205
MODEL	X	CW 1500 KZ 1500	X	CT 1500 CK 1500	CM 1500 CD 1500	X	CPH 2800 CP 3000	CS 3000
SERIES	MINI 	COMPACT HEIGHT 	THREADED 	LOW PROFILE 	HEAVY DUTY 	ISO 	HEAVY LOAD 	POWER COMPACT STROKE



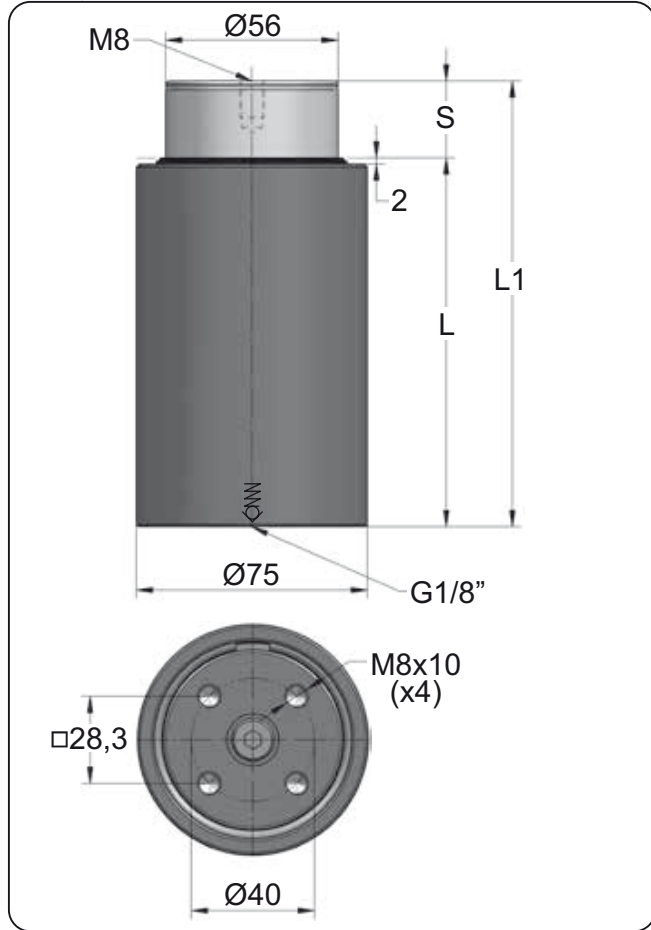
When using CP series mounted by screws the gas spring must be supported at all the times. A flat support surface in contact with the whole surface of the gas spring body is always required.

SEAL
KIT S-XXXXXXX

CODE	CP 3000 050 V1	KIT S-XXXXXXX	X	06 CG 2-Q
ENG ORDER	GAS SPRING	REPAIR KIT	FLANGE	CHARGING ADAPTER
DEU BESTELLUNG	GASDRUCKFEDER	ERSATZTEILSATZ	FLANSCHEN	LADEADAPTER
FRA COMMANDE	RESSORT À GAZ	KIT DE RÉPARATION	BRIDE	RACCORD DE CHARGE
ITA ORDINE	CILINDRO AD AZOTO	KIT DI MANUTENZIONE	FLANGE	ADATTATORE DI CARICO
ESP PEDIDO	RESORTE DE GAS	KIT DE REPARACION	BRIDA	ADAPTADOR DE CARGA
POR PEDIDO	CILINDRO DE GÁS	KIT DE MANUTENÇÃO	FLANGE	ADAPTADOR DE CARGA

CP 5000 V1

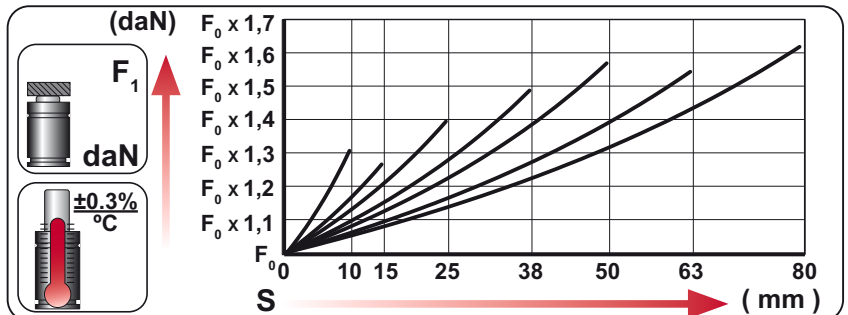
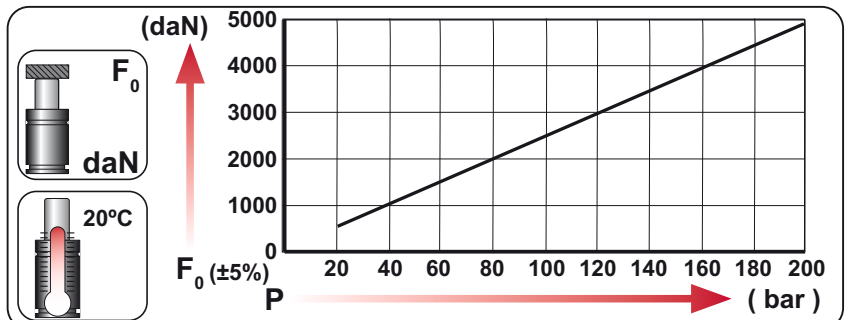
Heavy Load



ORDER	S (mm)	L1 ±0,25 (mm)	L (mm)	Kg.
CP 5000 010 V1	10	100	90	2.30
CP 5000 015 V1	15	125	110	2.54
CP 5000 025 V1	25	145	120	2.75
CP 5000 038 V1	38	175	137	3.05
CP 5000 050 V1	50	200	150	3.31
CP 5000 063 V1	63	240	177	3.71
CP 5000 080 V1	80	275	195	4.07



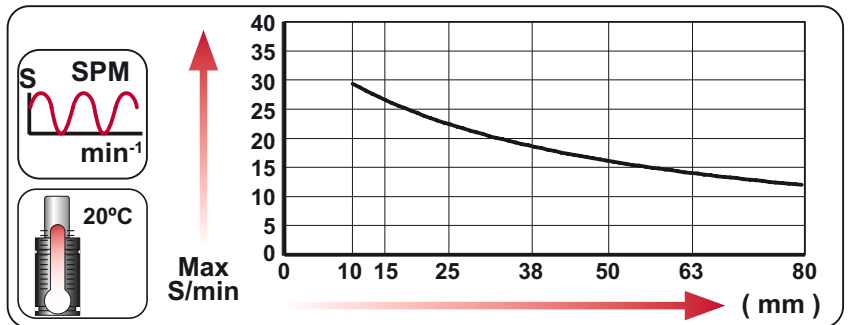
CODE	Image	bar	psi	F ₀ daN	F ₁ daN
CP 5000 050 V1		200	2900	4925	7740
.....		---	---	---	---



	ENG ORDER		
	DEU BESTELLUNG		
	FRA COMMANDE		
	ITA ORDINE		
	ESP PEDIDO		
POR PEDIDO			

CP 5000 50

CP 5000 050 V1



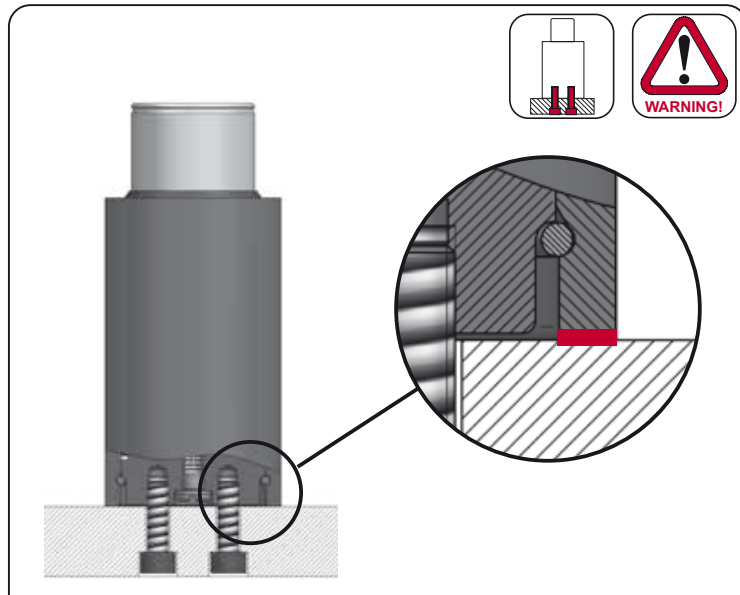
N ₂	Smax < 90%	Vmax 0,5 m/s	bar psi 20 290	bar psi 200 2900	°C °F 0 32	°C °F 80 176	



CP 5000 V1 MOUNTS

Heavy Load

s mm Ø mm L1 mm								
MODEL	X	CW 2400 KZ 2400	X	CT 2500 CK 2500 FD 1500	GN 1500 CM 2500 CD 2400	AG 1500	CPH 4300 CP 5000	CS 4700
SERIES	MINI 	COMPACT HEIGHT 	THREADED 	LOW PROFILE 	HEAVY DUTY 	ISO 	HEAVY LOAD 	POWER COMPACT STROKE



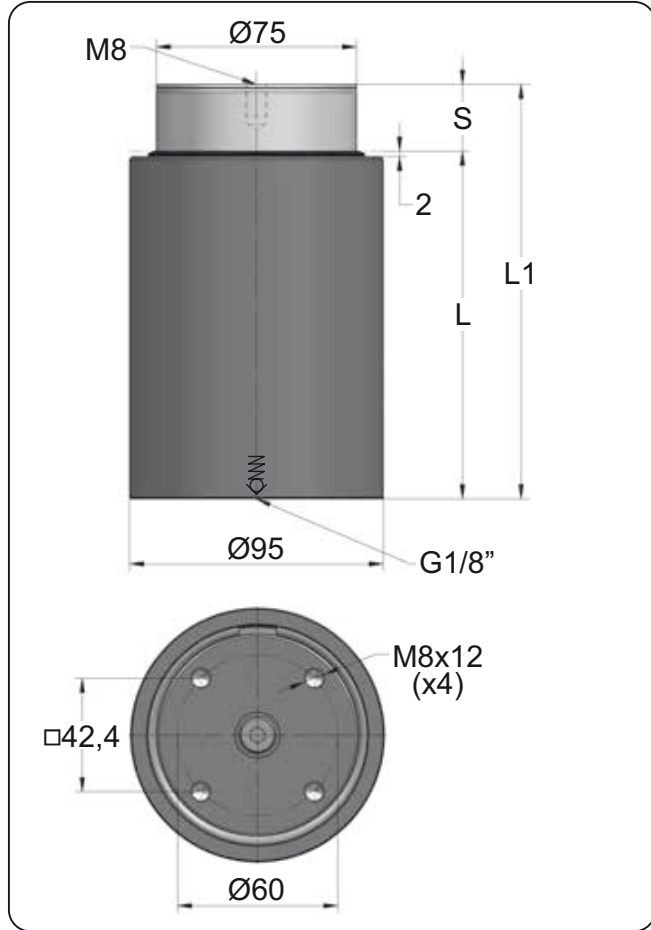
When using CP series mounted by screws the gas spring must be supported at all the times. A flat support surface in contact with the whole surface of the gas spring body is always required.

SEAL KIT S-XXXXXXX

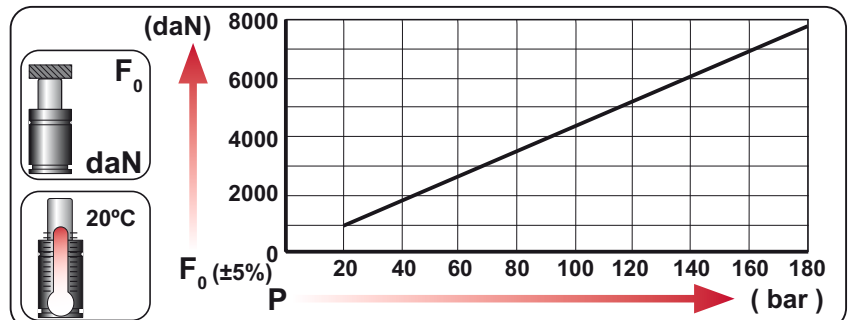
CODE	CP 5000 050 V1	KIT S-XXXXXXX	X	18 CG 1-Q
ENG ORDER	GAS SPRING	REPAIR KIT	FLANGE	CHARGING ADAPTER
DEU BESTELLUNG	GASDRUCKFEDER	ERSATZTEILSATZ	FLANSCHEN	LADEADAPTER
FRA COMMANDE	RESSORT À GAZ	KIT DE RÉPARATION	BRIDE	RACCORD DE CHARGE
ITA ORDINE	CILINDRO AD AZOTO	KIT DI MANUTENZIONE	FLANGE	ADATTATORE DI CARICO
ESP PEDIDO	RESORTE DE GAS	KIT DE REPARACION	BRIDA	ADAPTADOR DE CARGA
POR PEDIDO	CILINDRO DE GÁS	KIT DE MANUTENÇÃO	FLANGE	ADAPTADOR DE CARGA

CP 8000 V1

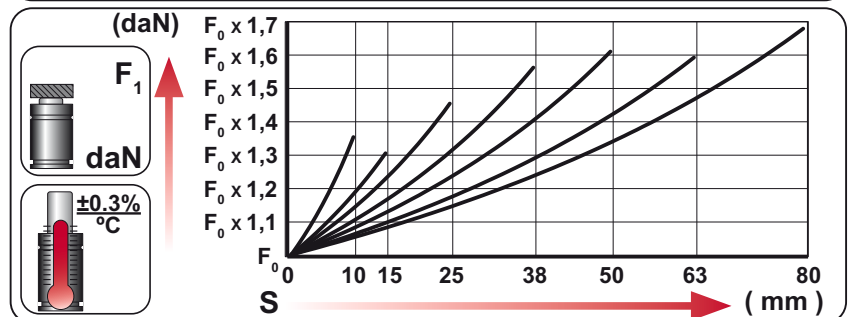
Heavy Load



ORDER	S (mm)	L1 ±0,25 (mm)	L (mm)	Kg.
CP 8000 010 V1	10	110	100	4.25
CP 8000 015 V1	15	135	120	4.65
CP 8000 025 V1	25	155	130	4.99
CP 8000 038 V1	38	185	147	5.50
CP 8000 050 V1	50	215	165	6.00
CP 8000 063 V1	63	255	192	6.66
CP 8000 080 V1	80	290	210	7.26



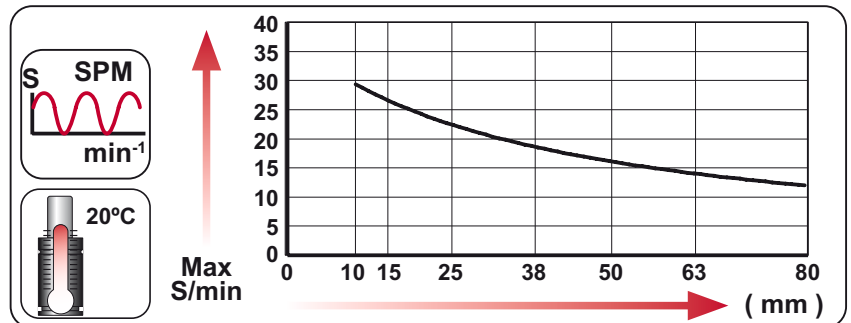
CODE	Image	Pressure		Force	
		bar	psi	daN	daN
CP 8000 050 V1		180	2610	7950	12825
.....		---	---	---	---



	ENG ORDER		
	DEU BESTELLUNG		
	FRA COMMANDE		
	ITA ORDINE		
	ESP PEDIDO		
POR PEDIDO			

CP 8000 50

CP 8000 050 V1



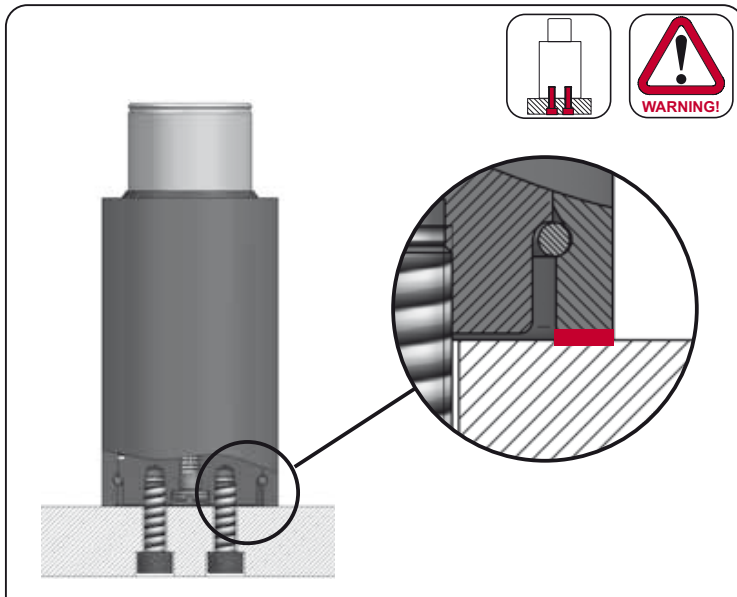
N ₂	S _{max} < 90%	V _{max} 0,5 m/s	bar psi 20 290	bar psi 180 2610	°C °F 0 32	°C °F 80 176	



CP 8000 V1 MOUNTS

Heavy Load

MODEL	X	CW 4200 KZ 4200	X	CK 4000 FD 3000	GN 3000 CM 4000 CD 4200	AG 3000	CP 8000	CS 7500
SERIES	MINI 	COMPACT HEIGHT 	THREADED 	LOW PROFILE 	HEAVY DUTY 	ISO 	HEAVY LOAD 	POWER COMPACT STROKE



When using CP series mounted by screws the gas spring must be supported at all the times. A flat support surface in contact with the whole surface of the gas spring body is always required.

SEAL KIT S-XXXXXXX

CODE	CP 8000 050 V1	KIT S-XXXXXXX	X	18 CG 1-Q
ENG ORDER	GAS SPRING	REPAIR KIT	FLANGE	CHARGING ADAPTER
DEU BESTELLUNG	GASDRUCKFEDER	ERSATZTEILSATZ	FLANSCHEN	LADEADAPTER
FRA COMMANDE	RESSORT À GAZ	KIT DE RÉPARATION	BRIDE	RACCORD DE CHARGE
ITA ORDINE	CILINDRO AD AZOTO	KIT DI MANUTENZIONE	FLANGE	ADATTATORE DI CARICO
ESP PEDIDO	RESORTE DE GAS	KIT DE REPARACION	BRIDA	ADAPTADOR DE CARGA
POR PEDIDO	CILINDRO DE GÁS	KIT DE MANUTENÇÃO	FLANGE	ADAPTADOR DE CARGA



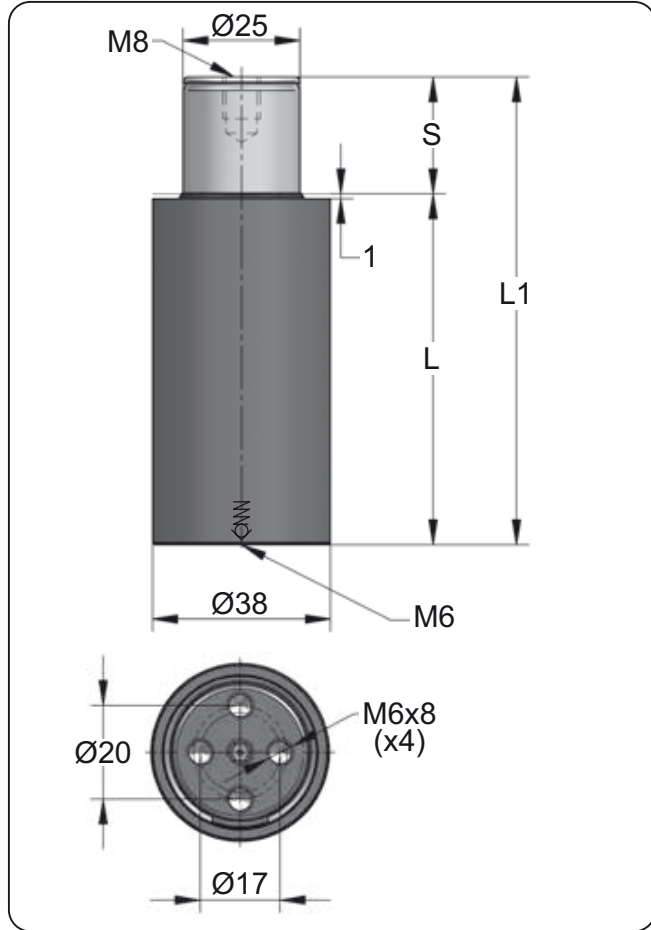
CPH HEAVY LOAD MEDIUM

MODEL	F ₀ 	Ø 	S 	L1 	Pmax 	Charge Port 		
CPH 850 V1	850	Ø38	10 - 80	70 - 225	175	M6	X	✓
CPH 1250 V1	1250	Ø45	12 - 80	79 - 230	175	M6	X	✓
CPH 1700 V2	1700	Ø50	10 - 80	80 - 235	175	G1/8"	X	✓
CPH 2800 V1	2800	Ø63	25 - 80	120 - 250	175	M6	X	✓
CPH 4300 V1	4300	Ø75	10 - 80	90 - 250	175	G1/8"	X	✓

		50		50	50	50	50	50
		Ø50		Ø50	Ø50	Ø50	Ø50	Ø50
		L1=138 L1=152		L1=138 L1=150 L1=150	L1=170 L1=185 L1=195	L1=195	L1=165 L1=175	L1=220
		1000 1000		1000 1000 750	750 1000 1000	750	1700 2000	1800
MODEL	X	CW 1000 KZ 1000	X	CT 1000 CK 1000 FD 750	GN 750 CM 1000 CD 1000	AG 750	CPH 1700 CP 2000	CS 1800
SERIES	MINI 	COMPACT HEIGHT 	THREADED 	LOW PROFILE 	HEAVY DUTY 	ISO 	HEAVY LOAD >Pmax 	POWER COMPACT STROKE <S >F₀

CPH 850 V1

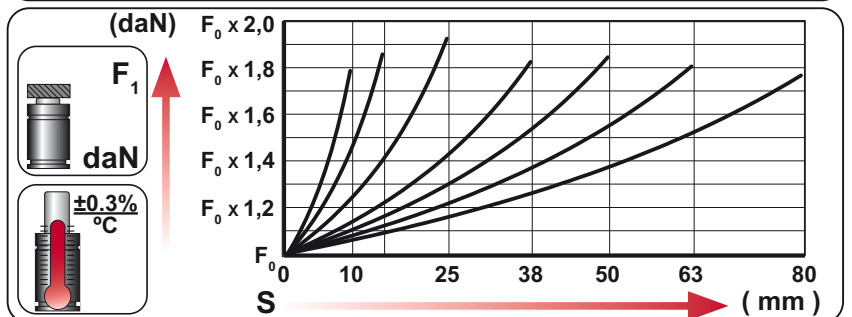
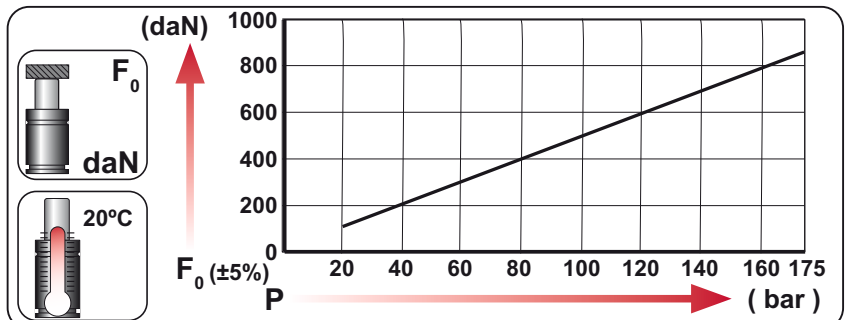
Heavy Load



ORDER	S (mm)	L1 ±0,25 (mm)	L (mm)	Kg.
CPH 850 010 V1	10	70	60	0.42
CPH 850 015 V1	15	80	65	0.45
CPH 850 025 V1	25	100	75	0.50
CPH 850 038 V1	38	130	92	0.58
CPH 850 050 V1	50	155	105	0.64
CPH 850 063 V1	63	185	122	0.72
CPH 850 080 V1	80	225	145	0.83



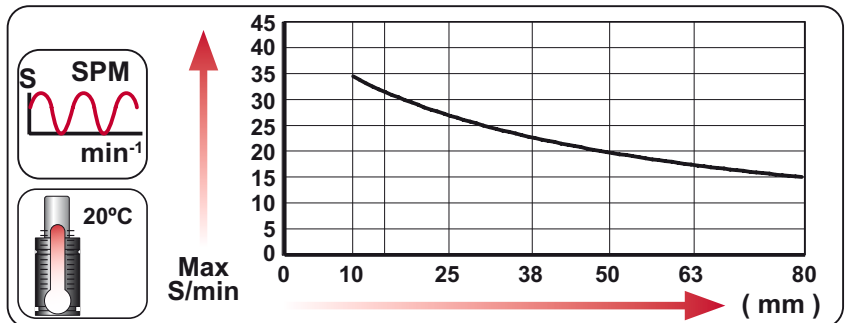
CODE	Image	Pressure		Force	
		bar	psi	daN	daN
CPH 850 050 V1		165	2395	810	1480
.....		---	---	---	---



Language	Order Code	Force F0 (daN)	Stroke S (mm)
ENG	ORDER	F0	S
DEU	BESTELLUNG	daN	mm
FRA	COMMANDE		
ITA	ORDINE		
ESP	PEDIDO		
POR	PEDIDO		

CPH 850 50

CPH 850 050 V1



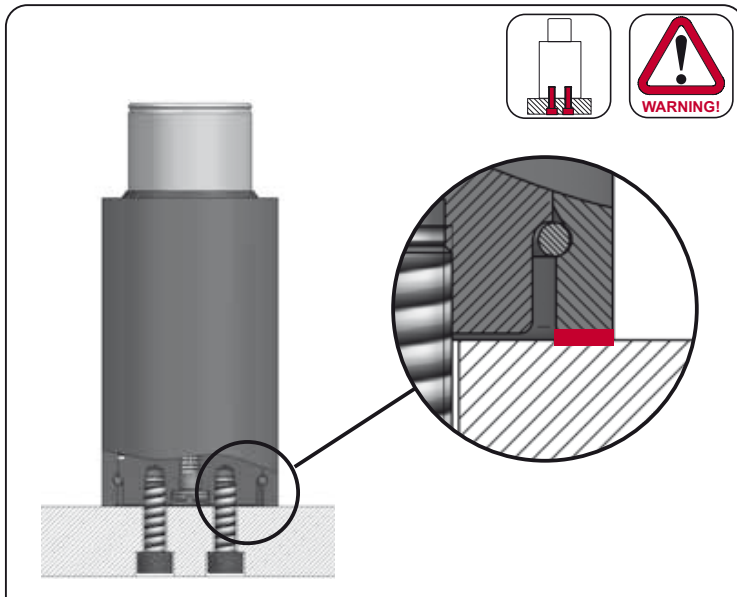
N ₂	Smax < 90%	Vmax 0,5 m/s	bar psi 20 290	bar psi 175 2540	°C °F 0 32	°C °F 80 176	



CPH 850 V1 MOUNTS

Heavy Load

s mm Ø mm L1 mm		50	50	50	50	50	50	50
		Ø38	Ø38	Ø38	Ø38	Ø38	Ø38	Ø38
		L1=130 L1=140	L1=150	L1=132 L1=137	L1=150 L1=155	L1=150	L1=155 L1=160	L1=230
MODEL	X	CW 500 KZ 500	AS 300	CT 500 CK 500	CM 500 CD 500	AG 250	CPH 850 CP 1000	CS 1000
SERIES	MINI 	COMPACT HEIGHT 	THREADED 	LOW PROFILE 	HEAVY DUTY 	ISO 	HEAVY LOAD 	POWER COMPACT STROKE



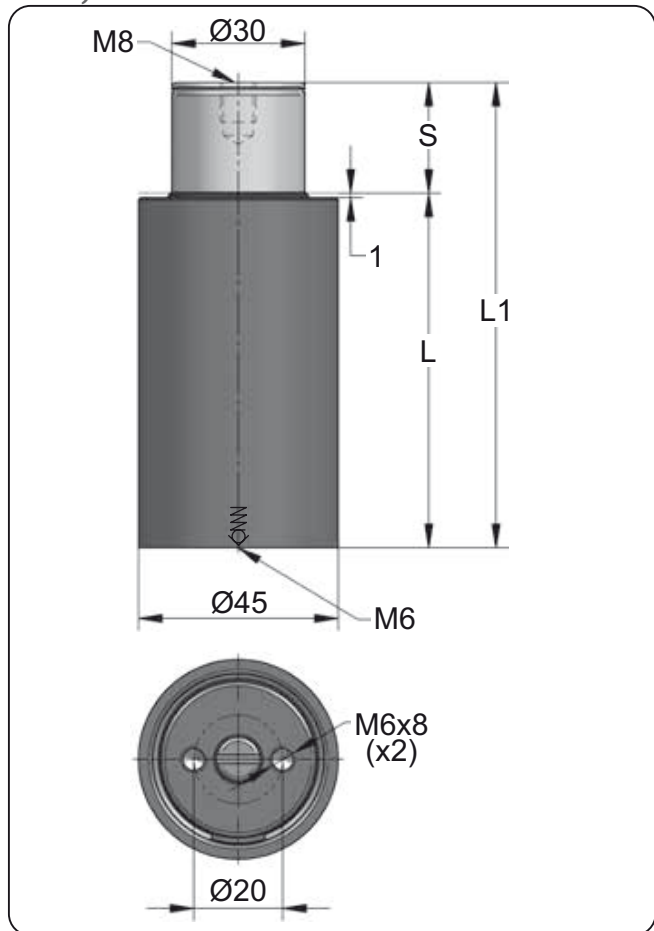
When using CP series mounted by screws the gas spring must be supported at all the times. A flat support surface in contact with the whole surface of the gas spring body is always required.

SEAL KIT S-XXXXXXX

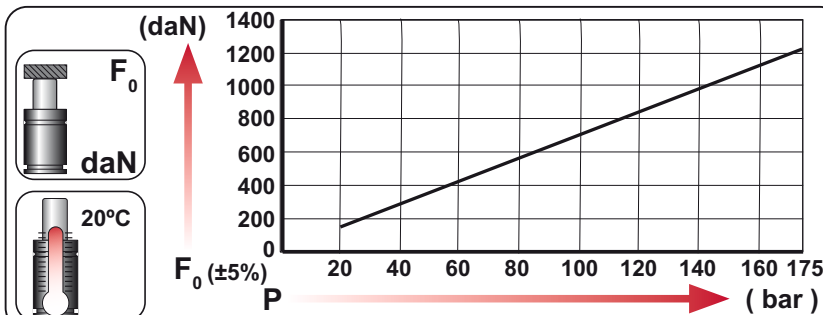
CODE	CPH 850 050 V1	KIT S-XXXXXXX	X	06 CG 2-Q
ENG ORDER	GAS SPRING	REPAIR KIT	FLANGE	CHARGING ADAPTER
DEU BESTELLUNG	GASDRUCKFEDER	ERSATZTEILSATZ	FLANSCH	LADEADAPTER
FRA COMMANDE	RESSORT À GAZ	KIT DE RÉPARATION	BRIDE	RACCORD DE CHARGE
ITA ORDINE	CILINDRO AD AZOTO	KIT DI MANUTENZIONE	FLANGE	ADATTATORE DI CARICO
ESP PEDIDO	RESORTE DE GAS	KIT DE REPARACION	BRIDA	ADAPTADOR DE CARGA
POR PEDIDO	CILINDRO DE GÁS	KIT DE MANUTENÇÃO	FLANGE	ADAPTADOR DE CARGA

CPH 1250 V1

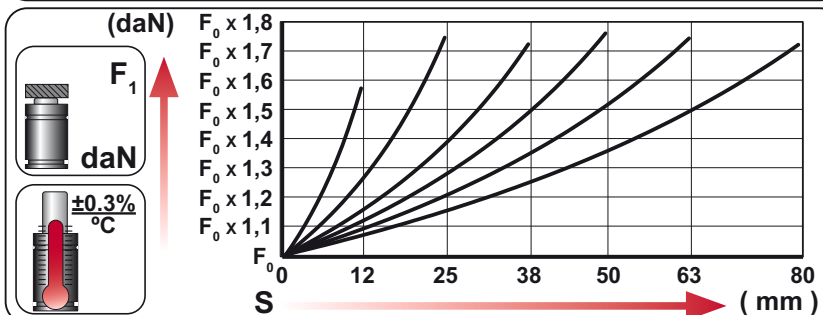
Heavy Load



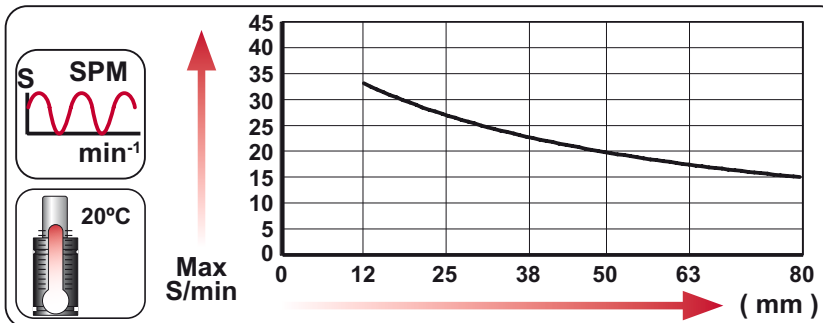
ORDER	S (mm)	L1 ±0,25 (mm)	L (mm)	Kg.
CPH 1250 012 V1	12	79	67	0.64
CPH 1250 025 V1	25	105	80	0.74
CPH 1250 038 V1	38	135	97	0.84
CPH 1250 050 V1	50	160	110	0.93
CPH 1250 063 V1	63	190	127	1.04
CPH 1250 080 V1	80	230	150	1.18



CODE	Image	Pressure		Force	
		bar	psi	daN	daN
CPH 1250 050 V1		170	2465	1200	2110
.....		---	---	---	---



ENG ORDER	DEU BESTELLUNG	FRA COMMANDE	ITA ORDINE	ESP PEDIDO	POR PEDIDO
CPH	1250	50			
CPH 1250 050 V1					



--	--	--	--	--	--	--	--

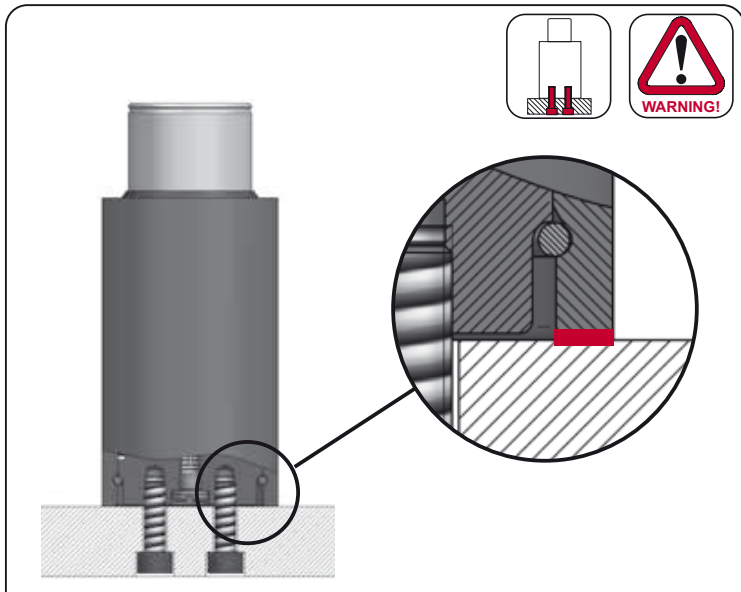
N ₂	Smax < 90%	Vmax 0,5 m/s	bar psi	bar psi	°C °F	°C °F	
			20 290	175 2540	0 32	80 176	



CPH 1250 V1 MOUNTS

Heavy Load

s mm Ø mm L1 mm		50 Ø45 L1=132 L1=147		50 Ø45 L1=138 L1=150 L1=150	50 Ø45 L1=160 L1=185	50 Ø45 L1=185	50 Ø45 L1=160	
MODEL	X	CW 750 KZ 750	X	CT 700 CK 750 FD 500	CM 600 CD 700	AG 500	CPH 1250	X
SERIES	MINI 	COMPACT HEIGHT 	THREADED 	LOW PROFILE 	HEAVY DUTY 	ISO 	HEAVY LOAD 	POWER COMPACT STROKE



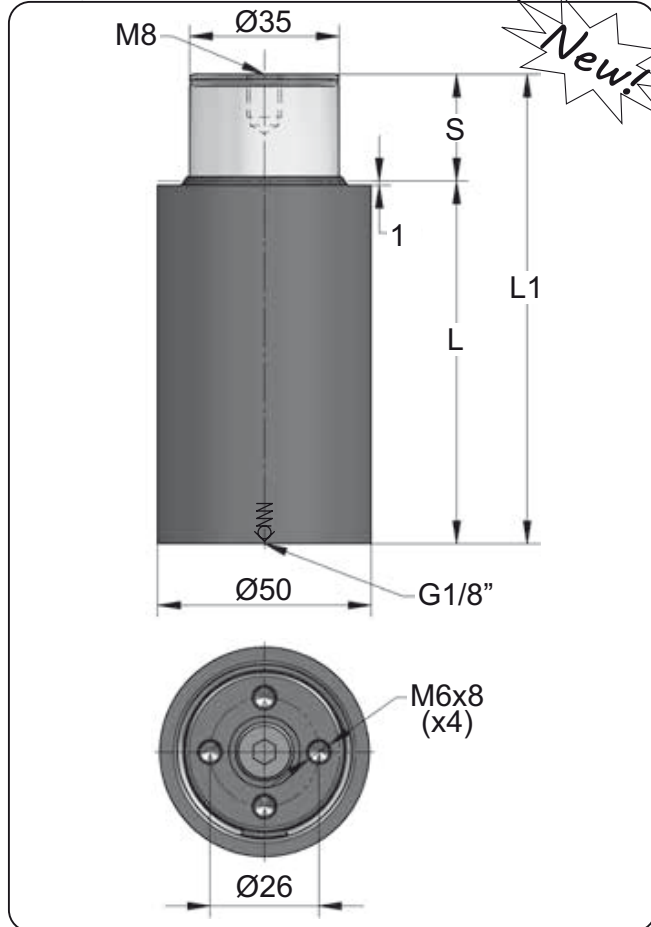
When using CP series mounted by screws the gas spring must be supported at all the times. A flat support surface in contact with the whole surface of the gas spring body is always required.

SEAL KIT S-XXXXXXX

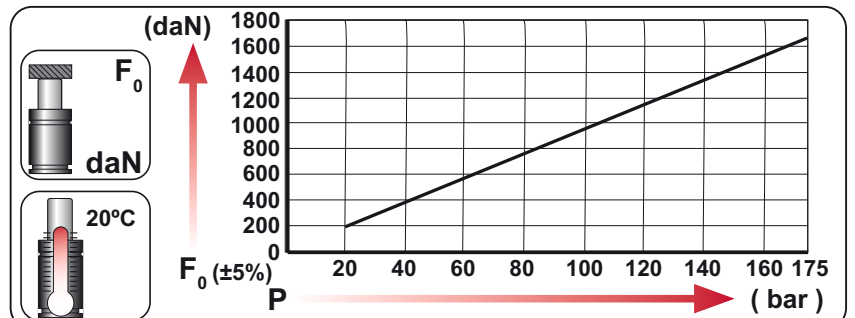
CODE	CPH 1250 050 V1	KIT S-XXXXXXX	X	06 CG 2-Q
ENG ORDER	GAS SPRING	REPAIR KIT	FLANGE	CHARGING ADAPTER
DEU BESTELLUNG	GASDRUCKFEDER	ERSATZTEILSATZ	FLANSCHEN	LADEADAPTER
FRA COMMANDE	RESSORT À GAZ	KIT DE RÉPARATION	BRIDE	RACCORD DE CHARGE
ITA ORDINE	CILINDRO AD AZOTO	KIT DI MANUTENZIONE	FLANGE	ADATTATORE DI CARICO
ESP PEDIDO	RESORTE DE GAS	KIT DE REPARACION	BRIDA	ADAPTADOR DE CARGA
POR PEDIDO	CILINDRO DE GÁS	KIT DE MANUTENÇÃO	FLANGE	ADAPTADOR DE CARGA

CPH 1700 V2

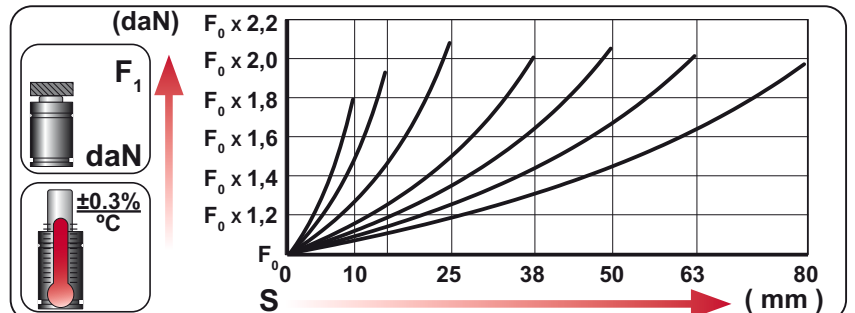
Heavy Load



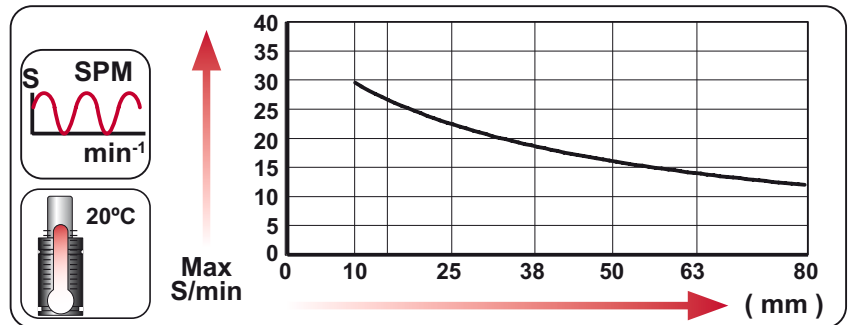
ORDER	S (mm)	L1 ±0,25 (mm)	L (mm)	Kg.
CPH 1700 010 V2	10	80	70	0.88
CPH 1700 015 V2	15	90	75	0.93
CPH 1700 025 V2	25	110	85	1.03
CPH 1700 038 V2	38	140	102	1.18
CPH 1700 050 V2	50	165	115	1.31
CPH 1700 063 V2	63	195	132	1.46
CPH 1700 080 V2	80	235	155	1.66



CODE	Image	Pressure		Force	
		bar	psi	daN	daN
CPH 1700 050 V2		170	2465	1635	3360
.....		---	---	---	---



ENG ORDER	DEU BESTELLUNG	FRA COMMANDE	ITA ORDINE	ESP PEDIDO	POR PEDIDO
CPH	1700	50			
CPH 1700 050 V2					


















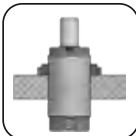







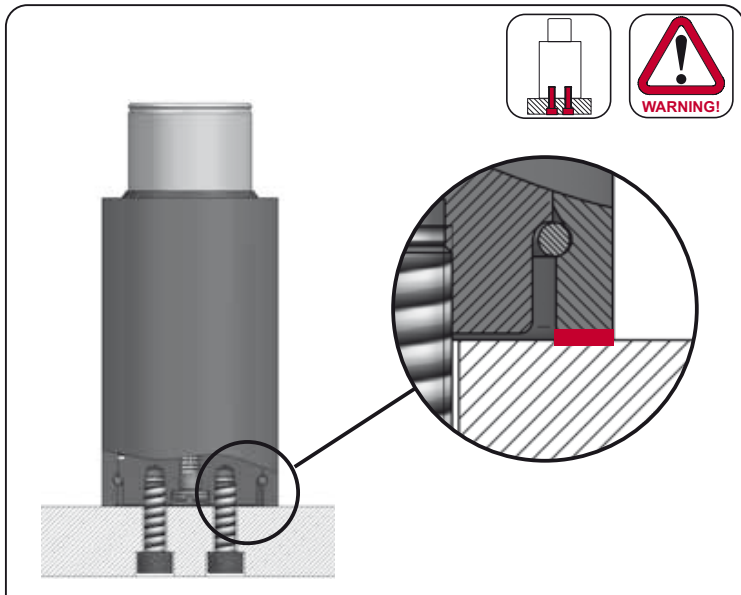
N ₂	Smax < 90%	Vmax 0,5 m/s	bar psi 20 290	bar psi 175 2540	°C °F 0 32	°C °F 80 176



CPH 1700 V2 MOUNTS

Heavy Load

 s mm  Ø mm  L1 mm		 50  Ø50 L1=138 L1=152		 50  Ø50 L1=138 L1=150 L1=150	 50  Ø50 L1=170 L1=185 L1=195	 50  Ø50 L1=195	 50  Ø50 L1=165 L1=175	 50  Ø50 L1=220
MODEL	X	CW 1000 KZ 1000	X	CT 1000 CK 1000 FD 750	GN 750 CM 1000 CD 1000	AG 750	CPH 1700 CP 2000	CS 1800
SERIES	MINI 	COMPACT HEIGHT  <L1	THREADED 	LOW PROFILE  <L1	HEAVY DUTY  >F ₀	ISO 	HEAVY LOAD  >P _{max}	POWER COMPACT STROKE  <S >F ₀



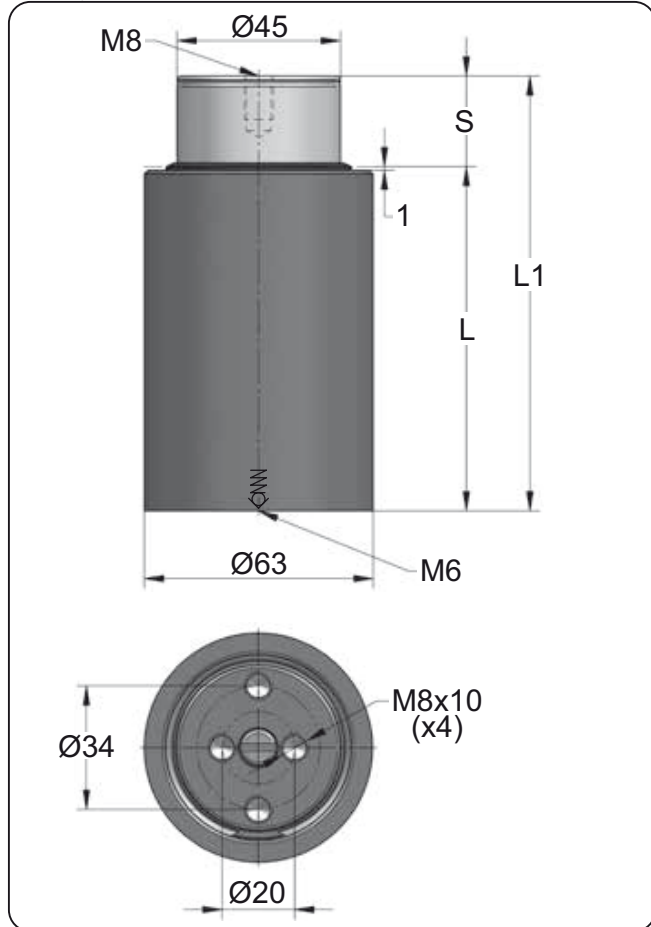
When using CP series mounted by screws the gas spring must be supported at all the times. A flat support surface in contact with the whole surface of the gas spring body is always required.

		 <p>SEAL KIT S-XXXXXXX</p> 		
------------------------------------------------------------------------------------	-------------------------------------------------------------------------------------	---------------------------------------------------------------------------------------------------------------------------------------------------------------------------------------------------	---------------------------------------------------------------------------------------	---------------------------------------------------------------------------------------

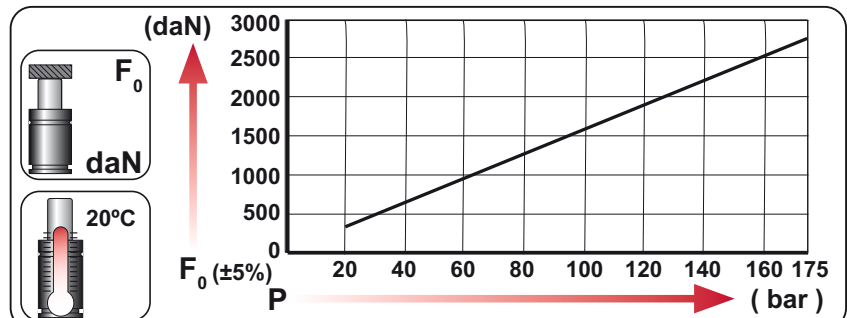
CODE	CPH 1700 050 V2	KIT S-XXXXXXX	X	18 CG 1-Q
ENG ORDER	GAS SPRING	REPAIR KIT	FLANGE	CHARGING ADAPTER
DEU BESTELLUNG	GASDRUCKFEDER	ERSATZTEILSATZ	FLANSCHEN	LADEADAPTER
FRA COMMANDE	RESSORT À GAZ	KIT DE RÉPARATION	BRIDE	RACCORD DE CHARGE
ITA ORDINE	CILINDRO AD AZOTO	KIT DI MANUTENZIONE	FLANGE	ADATTATORE DI CARICO
ESP PEDIDO	RESORTE DE GAS	KIT DE REPARACION	BRIDA	ADAPTADOR DE CARGA
POR PEDIDO	CILINDRO DE GÁS	KIT DE MANUTENÇÃO	FLANGE	ADAPTADOR DE CARGA

CPH 2800 V1

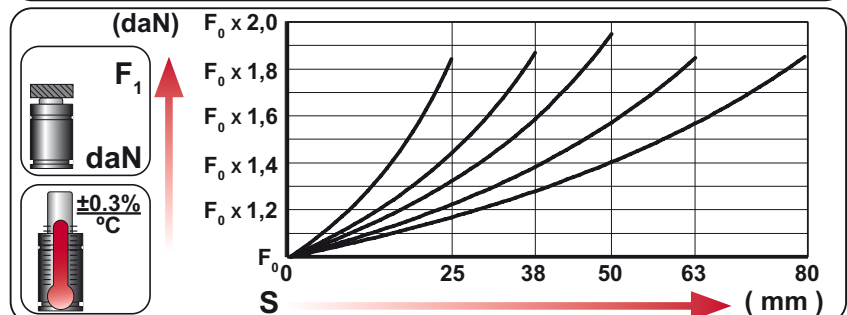
Heavy Load



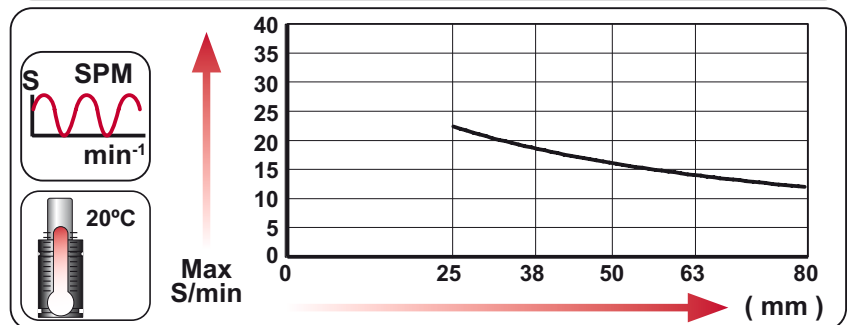
ORDER	S (mm)	L1 ±0,25 (mm)	L (mm)	Kg.
CPH 2800 025 V1	25	120	95	1.79
CPH 2800 038 V1	38	150	112	2.04
CPH 2800 050 V1	50	175	125	2.24
CPH 2800 063 V1	63	210	147	2.53
CPH 2800 080 V1	80	250	170	2.85



CODE	Image	Pressure		Force	
		bar	psi	daN	daN
CPH 2800 050 V1		170	2465	2700	5260
.....		---	---	---	---



ENG	ORDER	F ₀	S
DEU	BESTELLUNG	daN	mm
FRA	COMMANDE		
ITA	ORDINE		
ESP	PEDIDO		
POR	PEDIDO		
	CPH 2800 50		
	CPH 2800 050 V1		



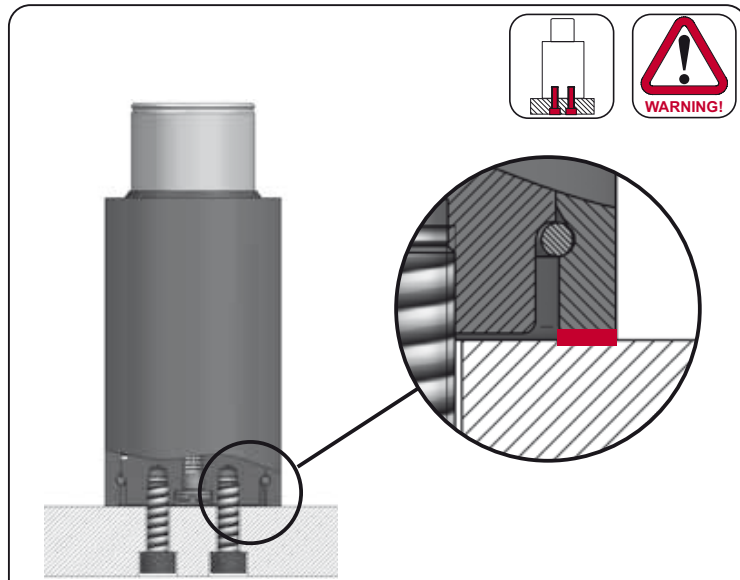
N ₂	Smax < 90%	Vmax 0,5 m/s	bar psi 20 290	bar psi 175 2540	°C °F 0 32	°C °F 80 176	



CPH 2800 V1 MOUNTS

Heavy Load

MODEL	X	CW 1500 KZ 1500	X	CT 1500 CK 1500	CM 1500 CD 1500	X	CPH 2800 CP 3000	CS 3000
SERIES	MINI 	COMPACT HEIGHT 	THREADED 	LOW PROFILE 	HEAVY DUTY 	ISO 	HEAVY LOAD 	POWER COMPACT STROKE



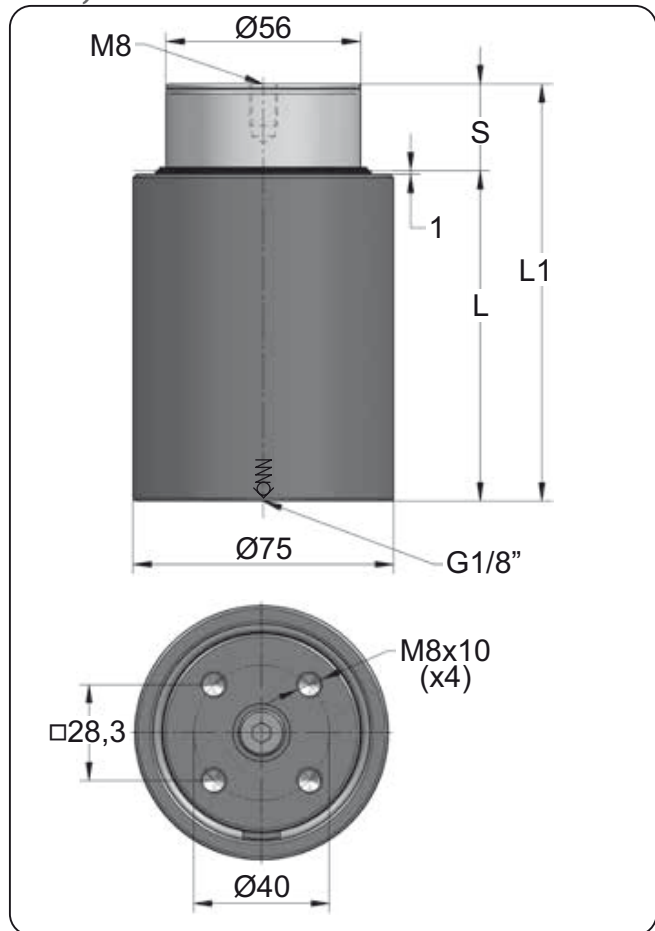
When using CP series mounted by screws the gas spring must be supported at all the times. A flat support surface in contact with the whole surface of the gas spring body is always required.

SEAL KIT S-XXXXXXX

CODE	CPH 2800 050 V1	KIT S-XXXXXXX	X	06 CG 2-Q
ENG ORDER	GAS SPRING	REPAIR KIT	FLANGE	CHARGING ADAPTER
DEU BESTELLUNG	GASDRUCKFEDER	ERSATZTEILSATZ	FLANSCHEN	LADEADAPTER
FRA COMMANDE	RESSORT À GAZ	KIT DE RÉPARATION	BRIDE	RACCORD DE CHARGE
ITA ORDINE	CILINDRO AD AZOTO	KIT DI MANUTENZIONE	FLANGE	ADATTATORE DI CARICO
ESP PEDIDO	RESORTE DE GAS	KIT DE REPARACION	BRIDA	ADAPTADOR DE CARGA
POR PEDIDO	CILINDRO DE GÁS	KIT DE MANUTENÇÃO	FLANGE	ADAPTADOR DE CARGA

CPH 4300 V1

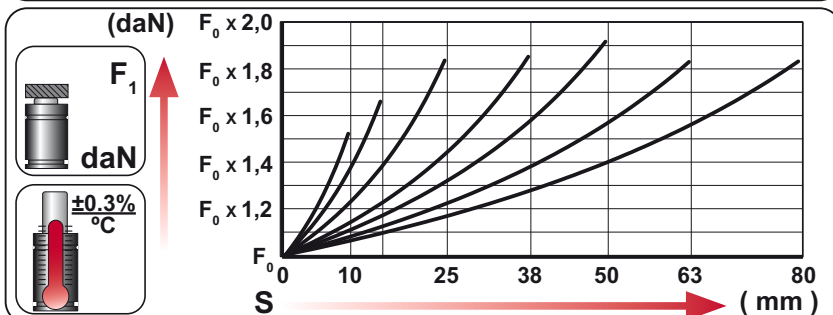
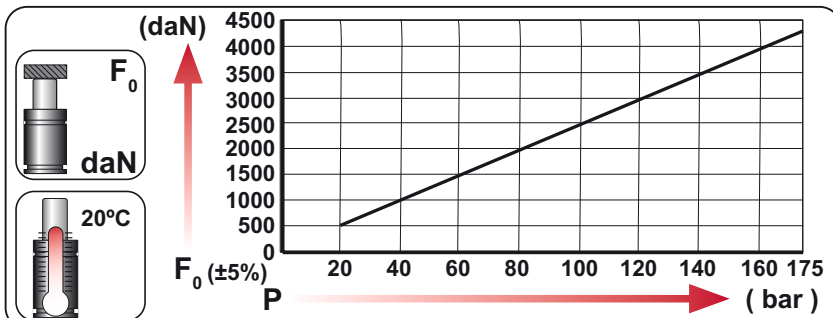
Heavy Load



ORDER	S (mm)	L1 ±0,25 (mm)	L (mm)	Kg.
CPH 4300 010 V1	10	90	80	2.19
CPH 4300 015 V1	15	100	85	2.30
CPH 4300 025 V1	25	120	95	2.51
CPH 4300 038 V1	38	150	112	2.81
CPH 4300 050 V1	50	175	125	3.07
CPH 4300 063 V1	63	210	147	3.42
CPH 4300 080 V1	80	250	170	3.83

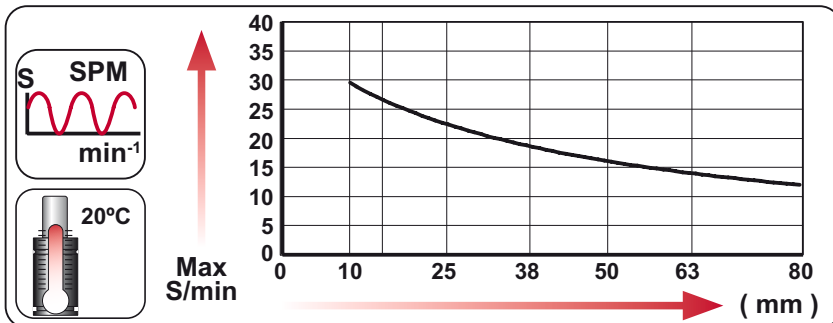


CODE	Image	bar	psi	F ₀ daN	F ₁ daN
CPH 4300 050 V1		170	2465	4190	8045
-----		---	---	---	---



ENG	ORDER	F ₀ daN	S mm
DEU	BESTELLUNG	4300	50
FRA	COMMANDE	4300	50
ITA	ORDINE	4300	50
ESP	PEDIDO	4300	50
POR	PEDIDO	4300	50

CPH 4300 050 V1



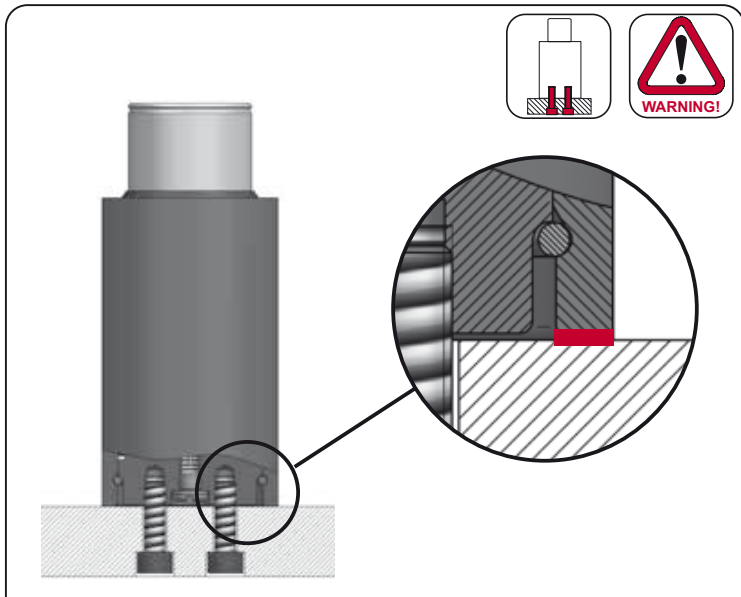
N ₂	Smax < 90%	Vmax 0,5 m/s	bar psi 20 290	bar psi 175 2540	°C °F 0 32	°C °F 80 176	



CPH 4300 V1 MOUNTS

Heavy Load

MODEL	X	CW 2400 KZ 2400	X	CT 2500 CK 2500 FD 1500	GN 1500 CM 2500 CD 2400	AG 1500	CPH 4300 CP 5000	CS 4700
SERIES	MINI 	COMPACT HEIGHT 	THREADED 	LOW PROFILE 	HEAVY DUTY 	ISO 	HEAVY LOAD 	POWER COMPACT STROKE



When using CP series mounted by screws the gas spring must be supported at all the times. A flat support surface in contact with the whole surface of the gas spring body is always required.

SEAL KIT S-XXXXXXX

CODE	CPH 4300 050 V1	KIT S-XXXXXXX	X	18 CG 1-Q
ENG ORDER	GAS SPRING	REPAIR KIT	FLANGE	CHARGING ADAPTER
DEU BESTELLUNG	GASDRUCKFEDER	ERSATZTEILSATZ	FLANSCHEN	LADEADAPTER
FRA COMMANDE	RESSORT À GAZ	KIT DE RÉPARATION	BRIDE	RACCORD DE CHARGE
ITA ORDINE	CILINDRO AD AZOTO	KIT DI MANUTENZIONE	FLANGE	ADATTATORE DI CARICO
ESP PEDIDO	RESORTE DE GAS	KIT DE REPARACION	BRIDA	ADAPTADOR DE CARGA
POR PEDIDO	CILINDRO DE GÁS	KIT DE MANUTENÇÃO	FLANGE	ADAPTADOR DE CARGA



